



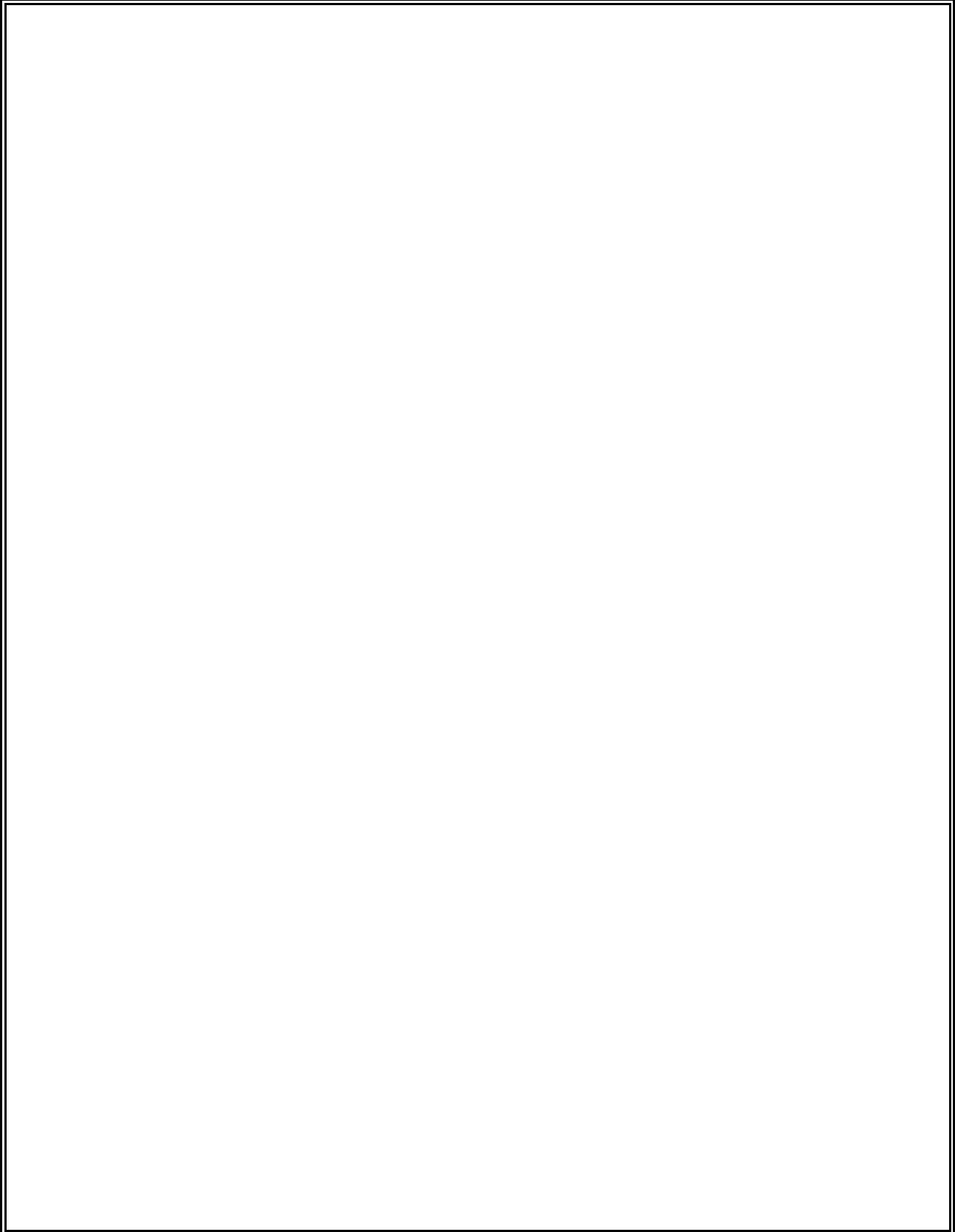
# Spare part information

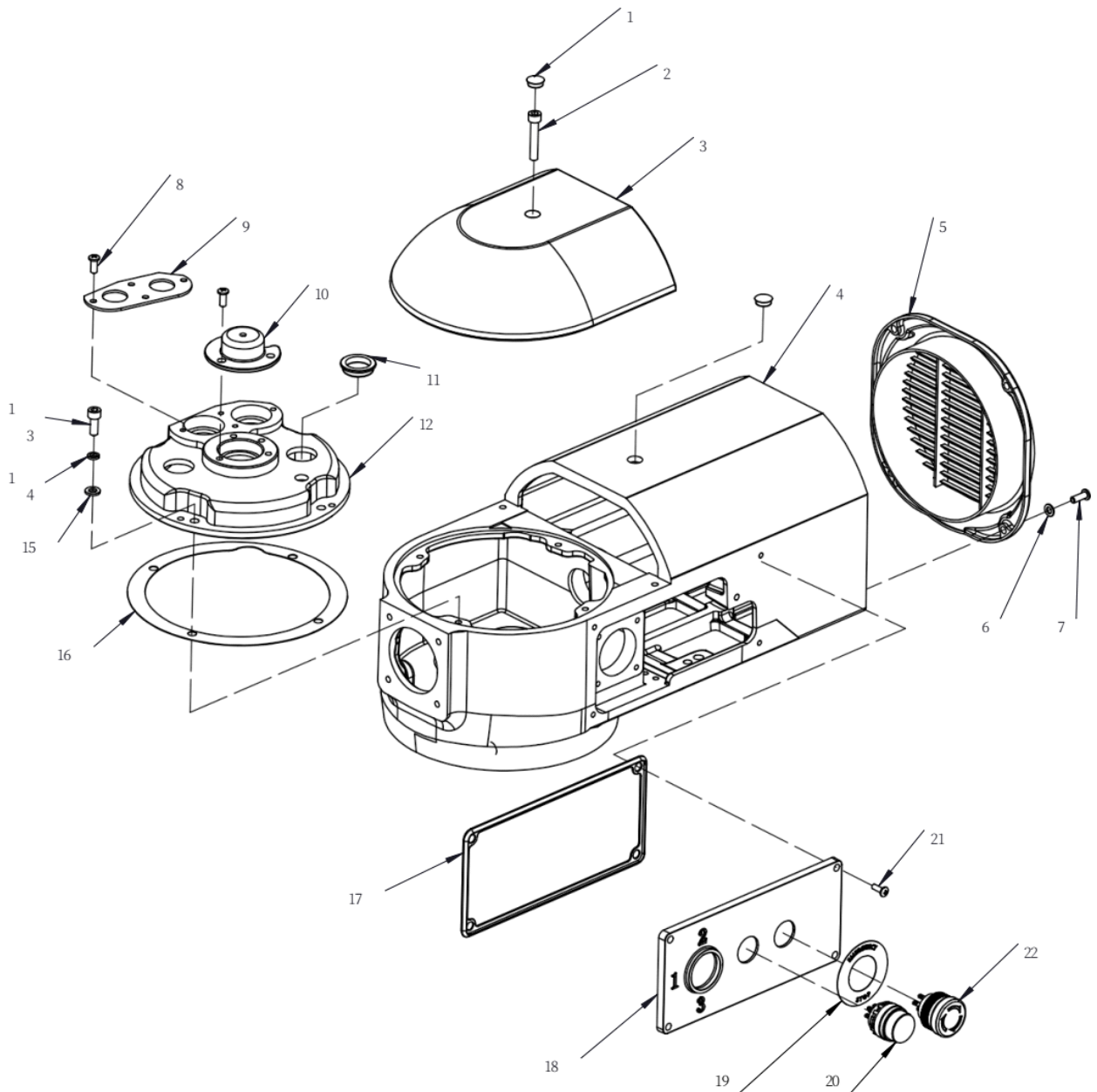
**7534.0030**

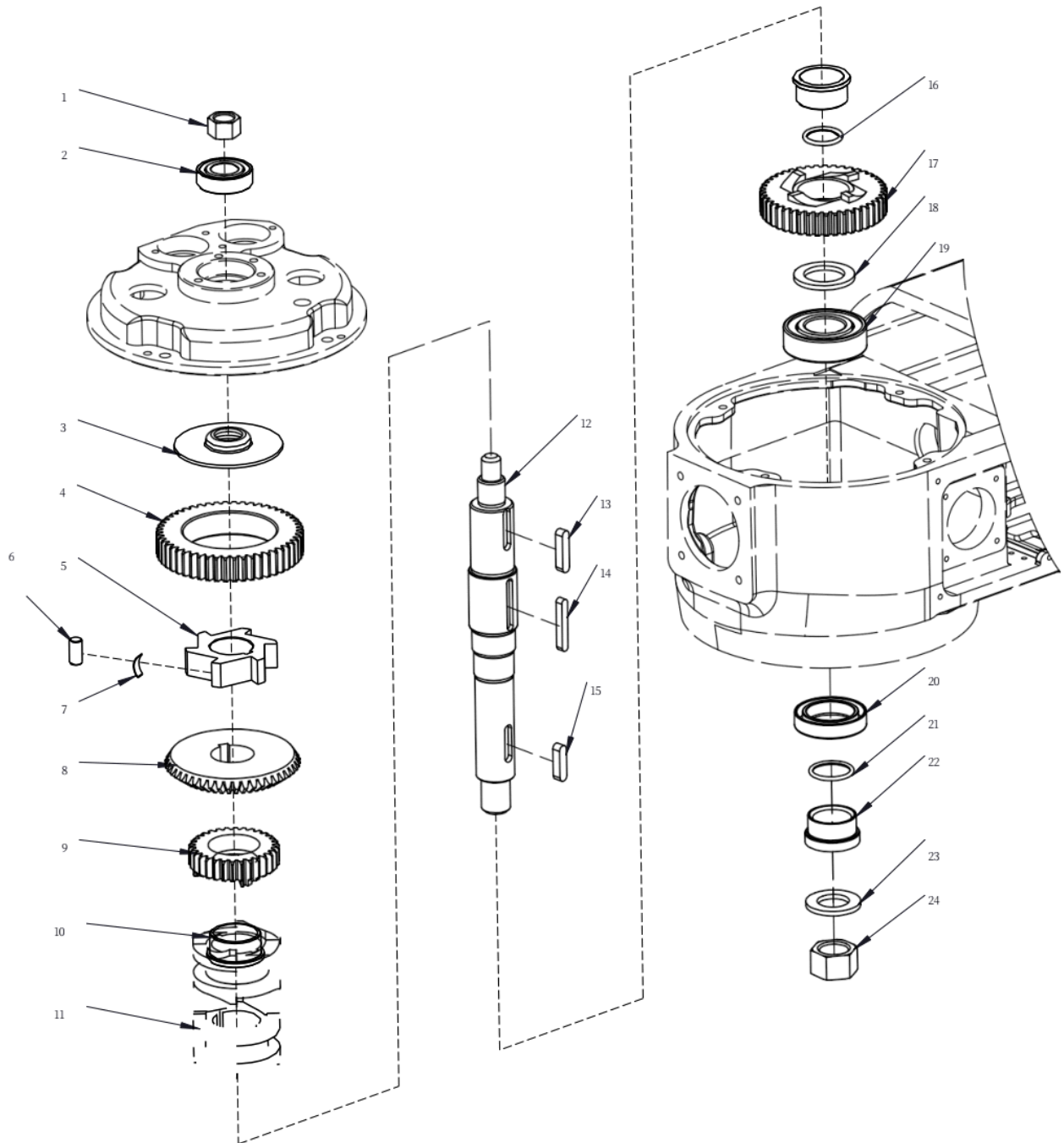


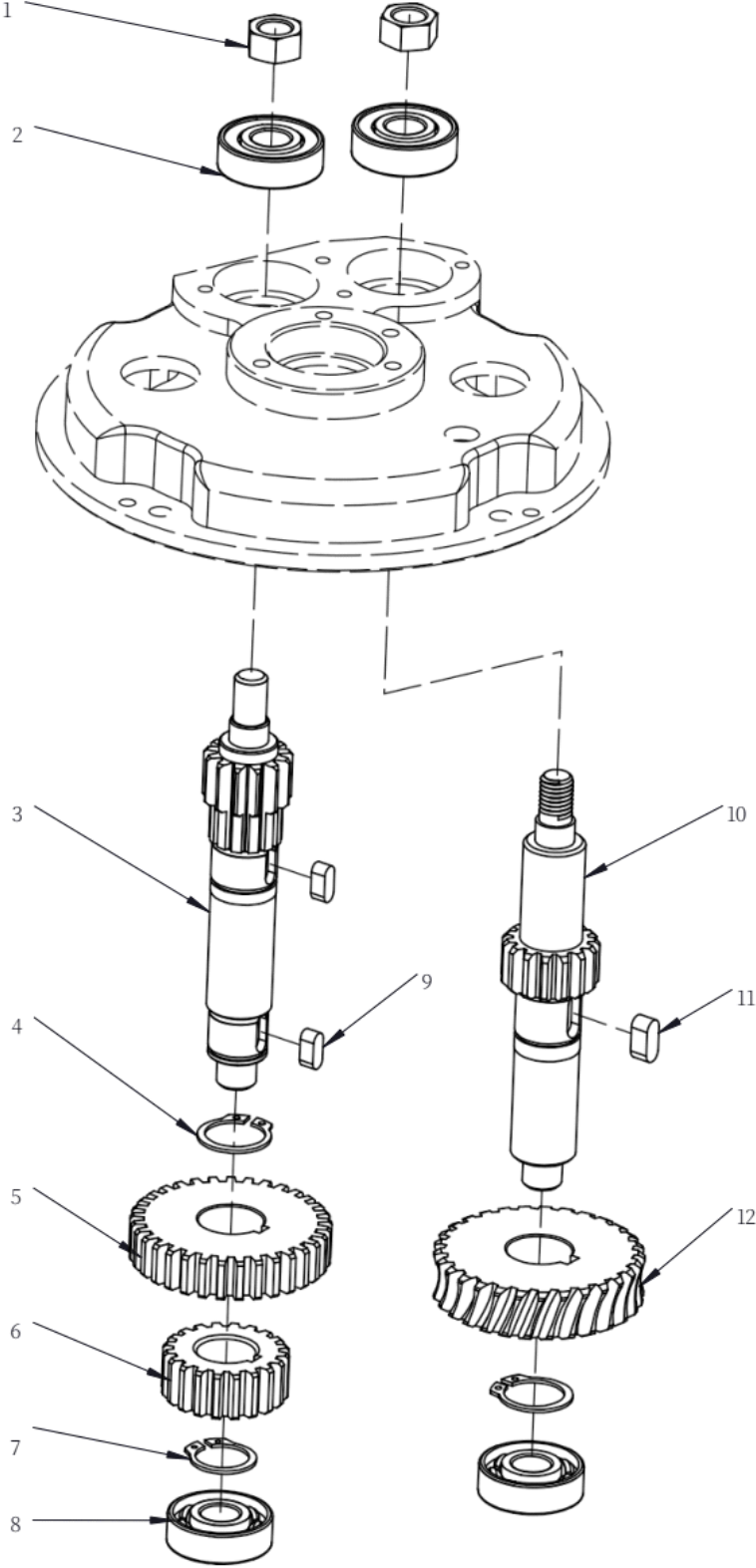


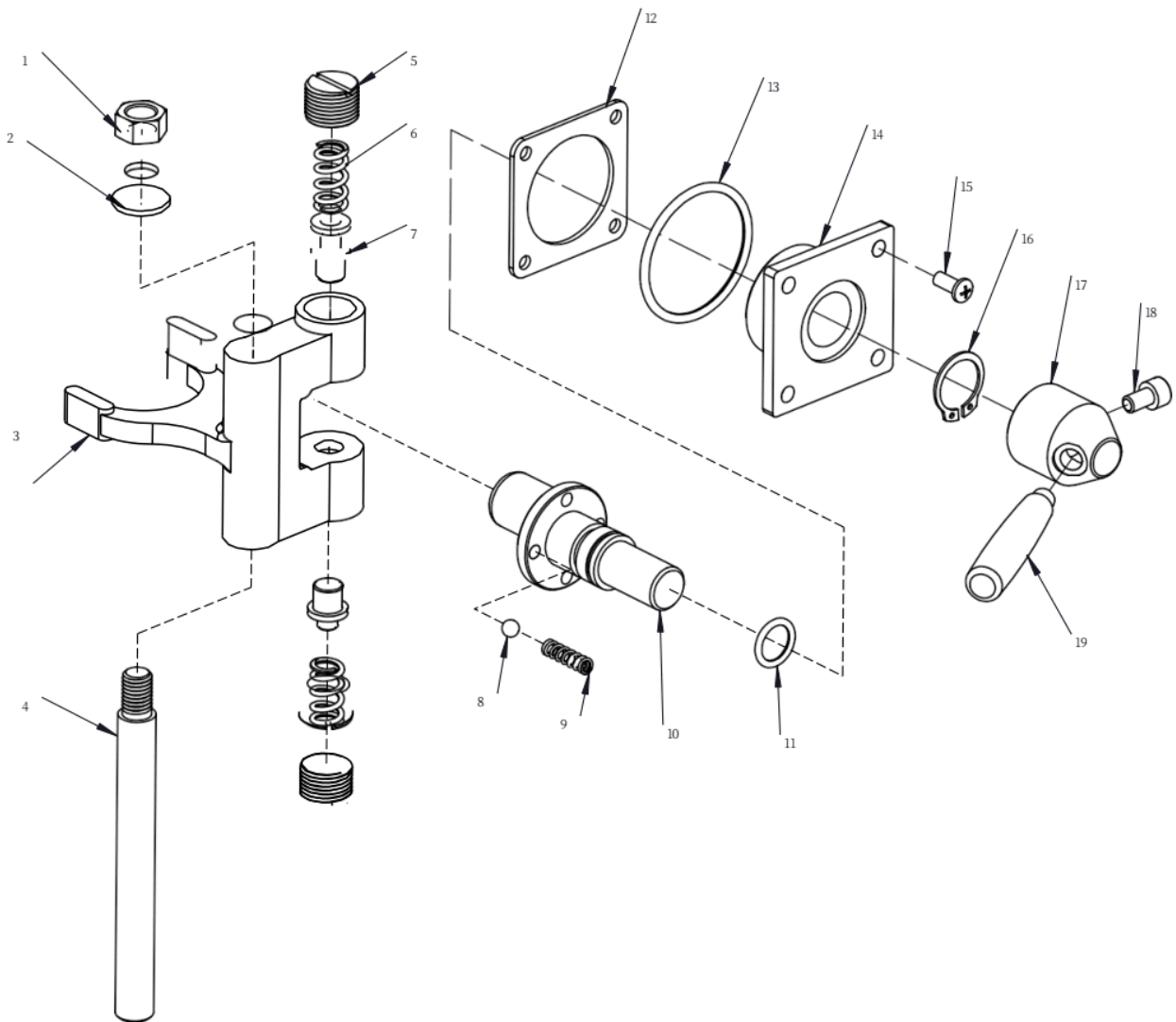
**7534.0030**

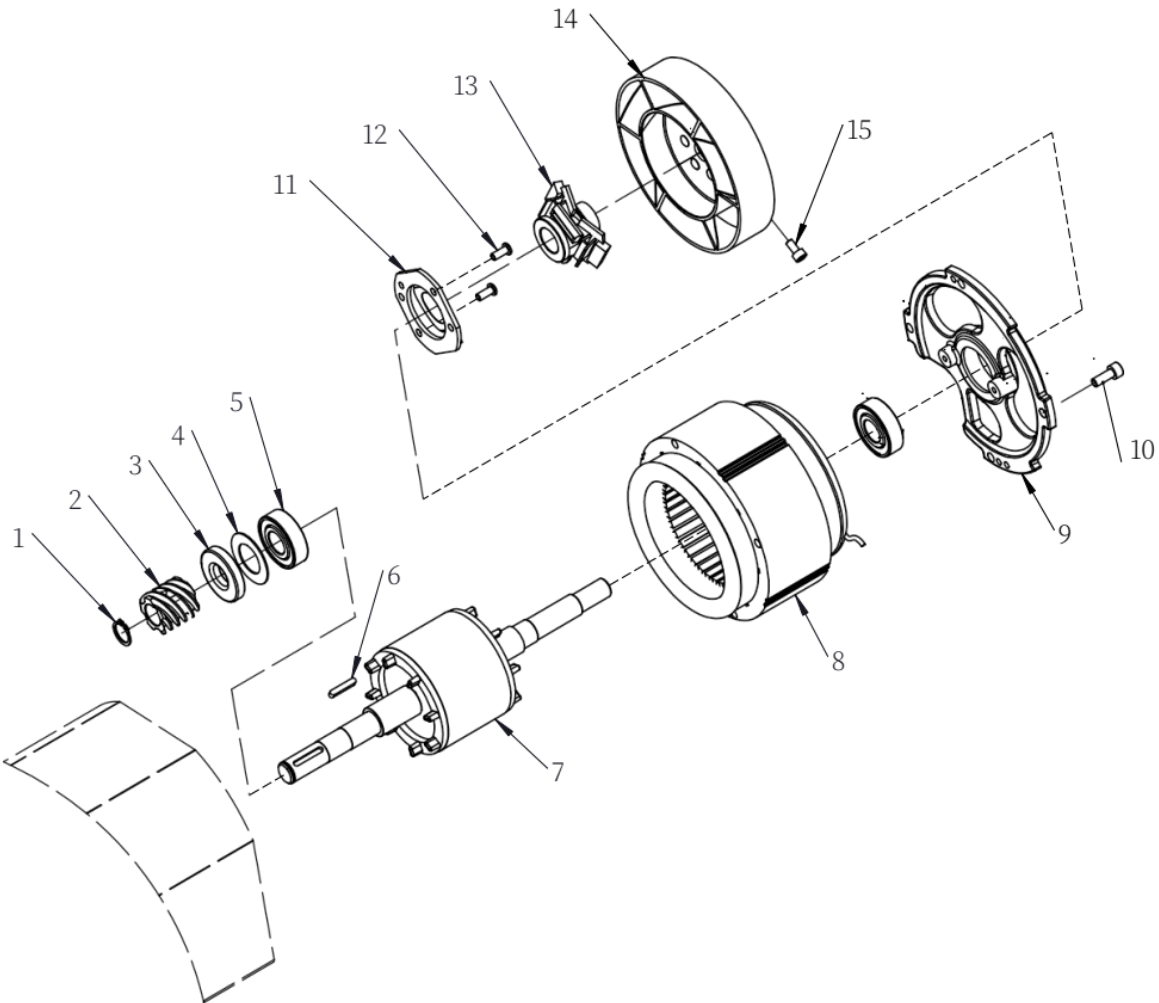


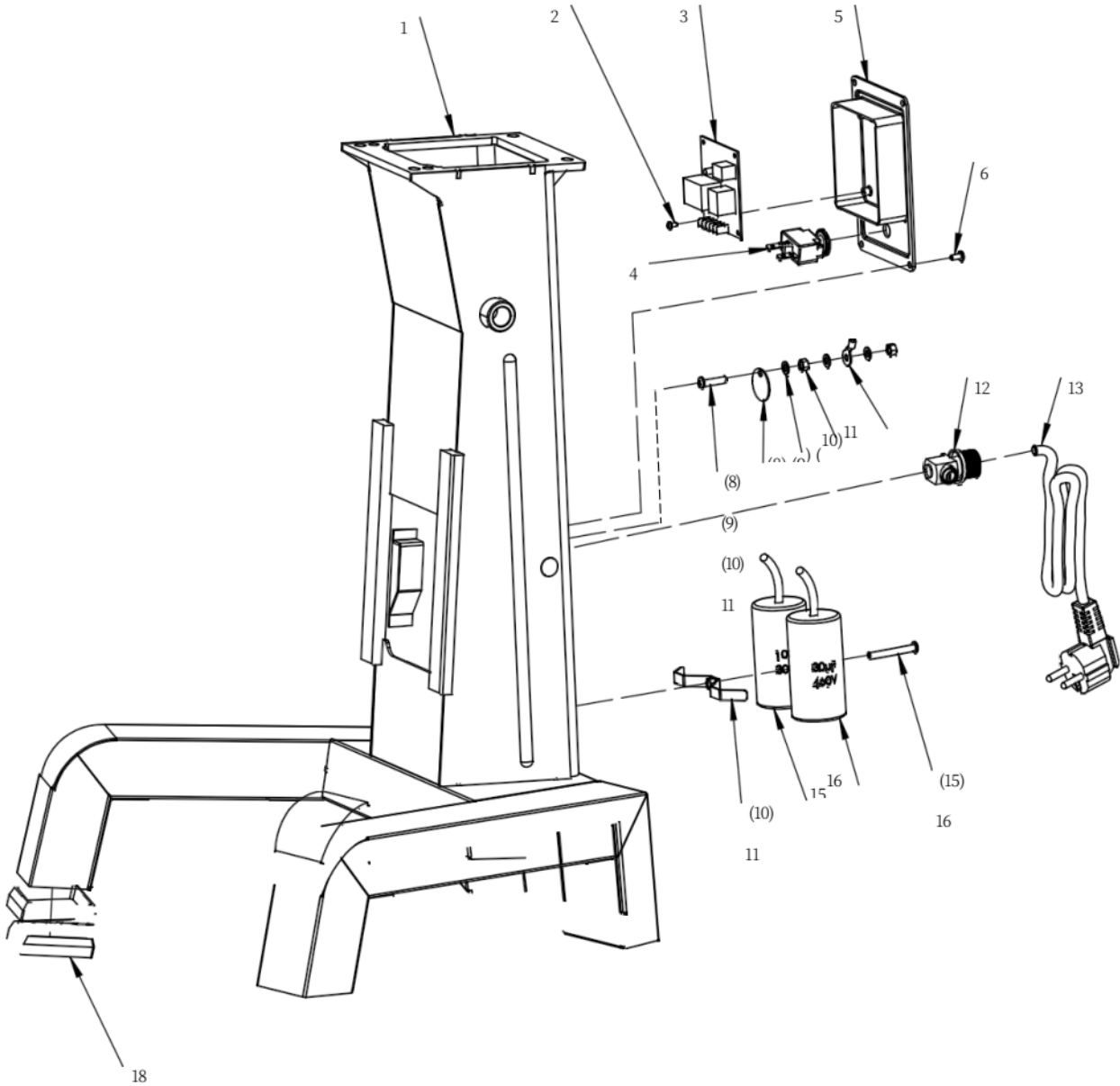


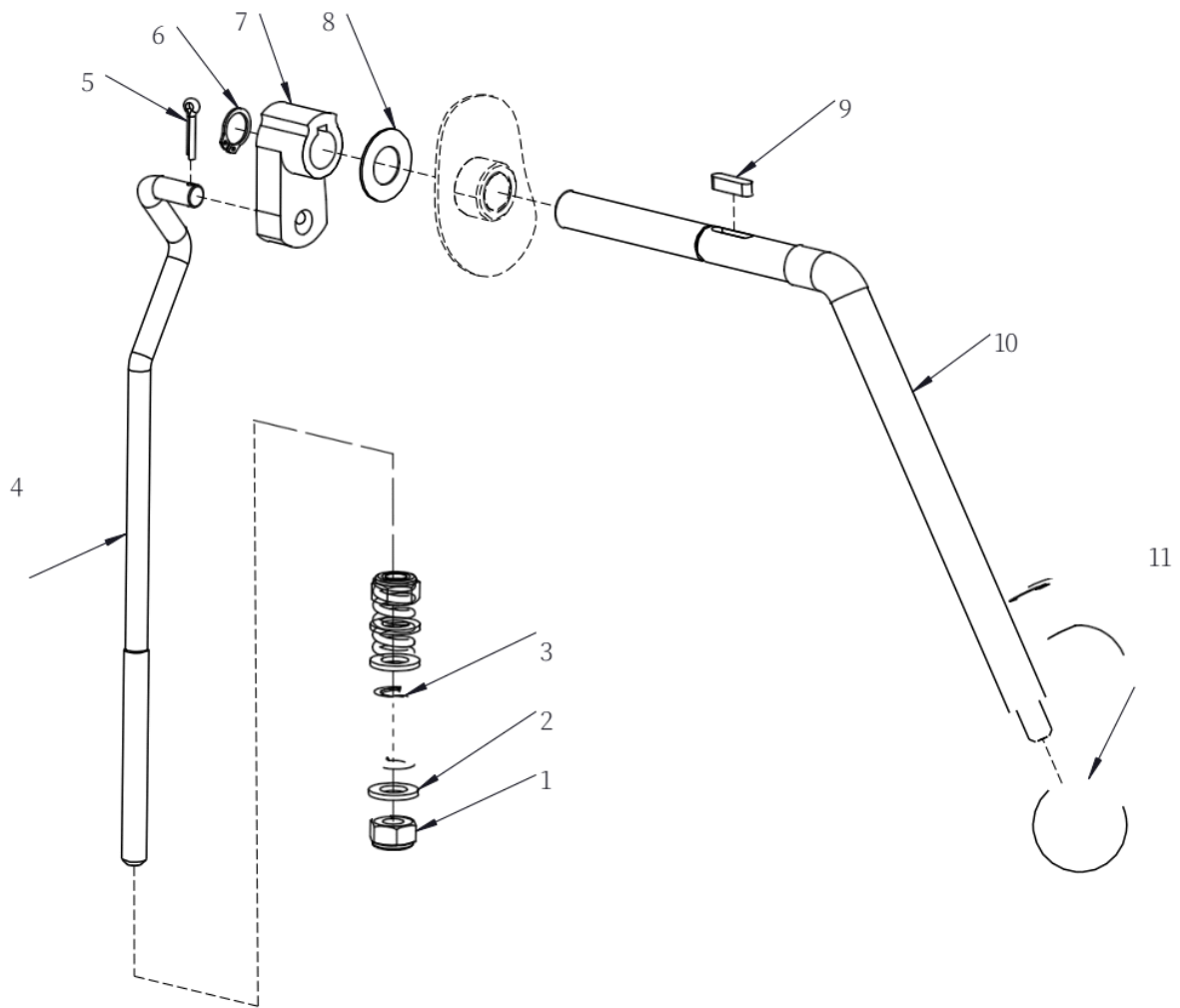


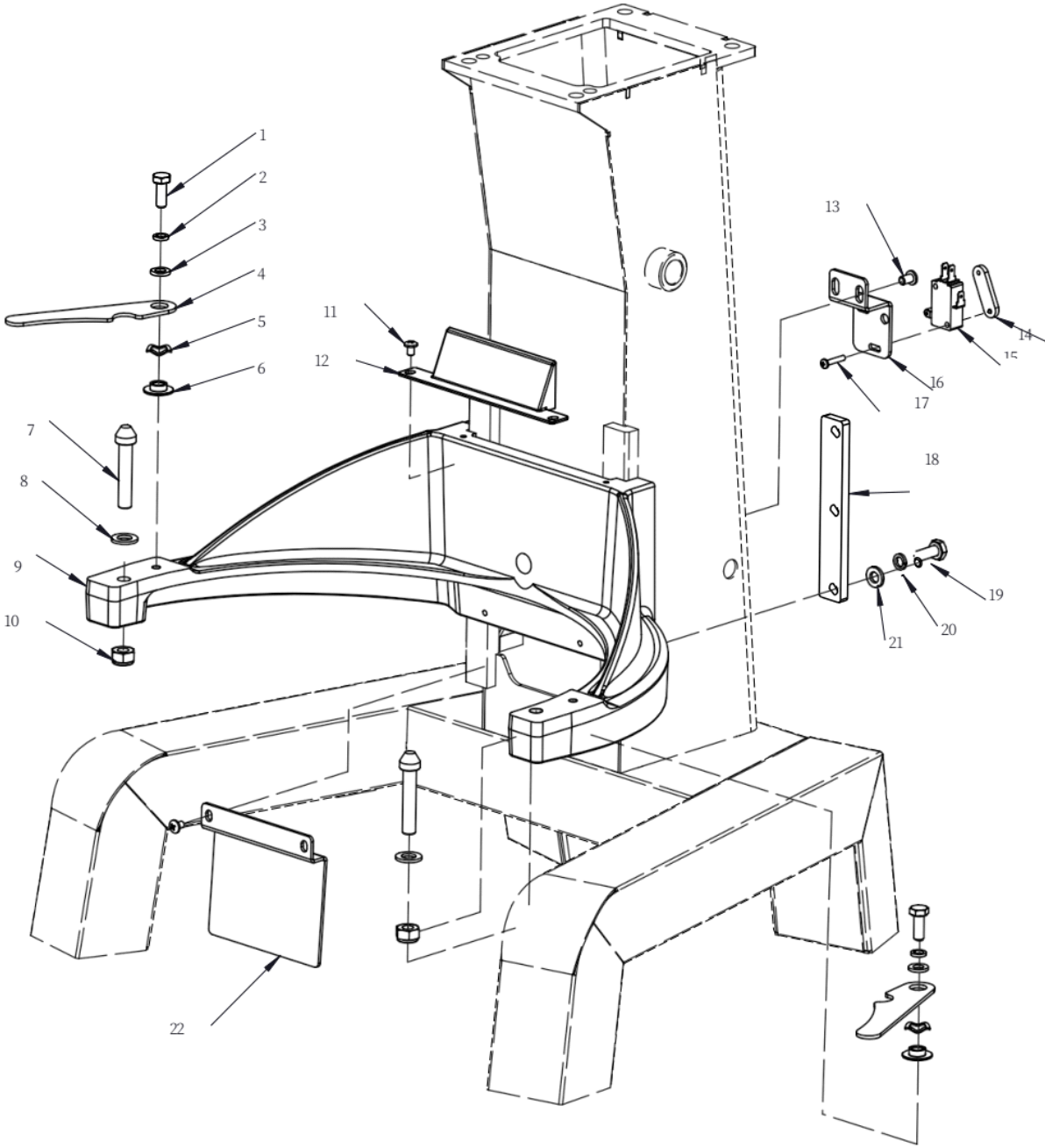


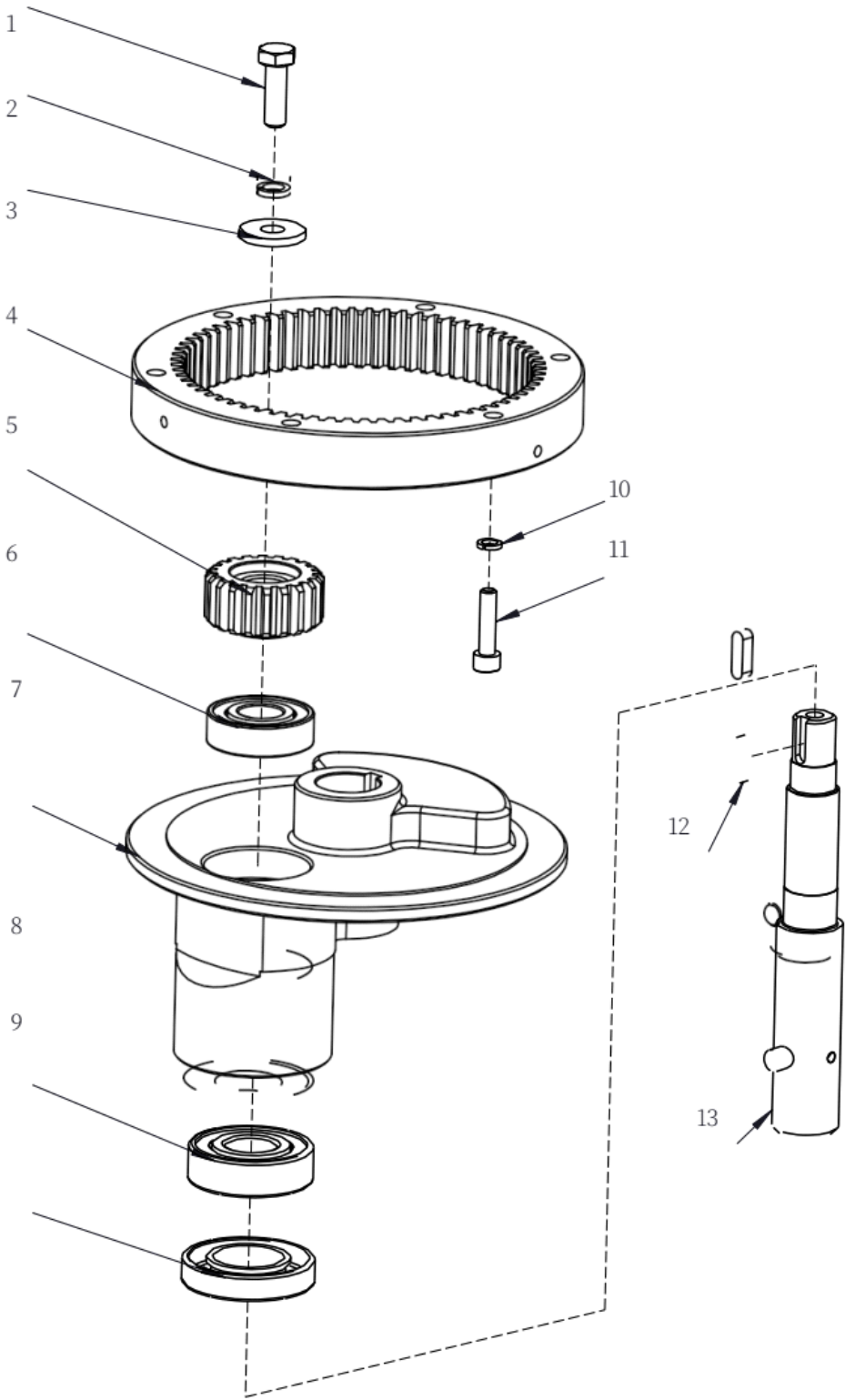


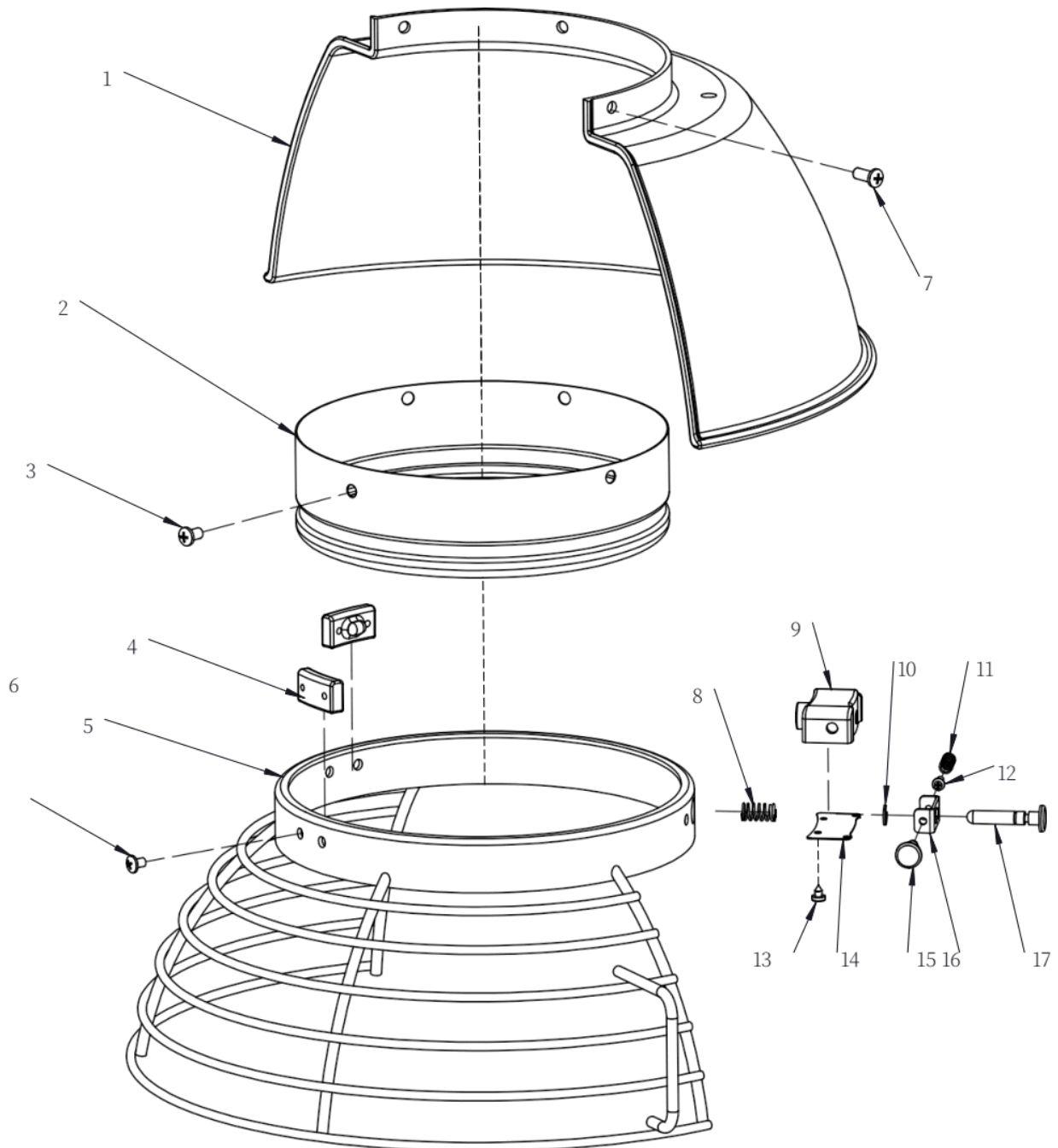


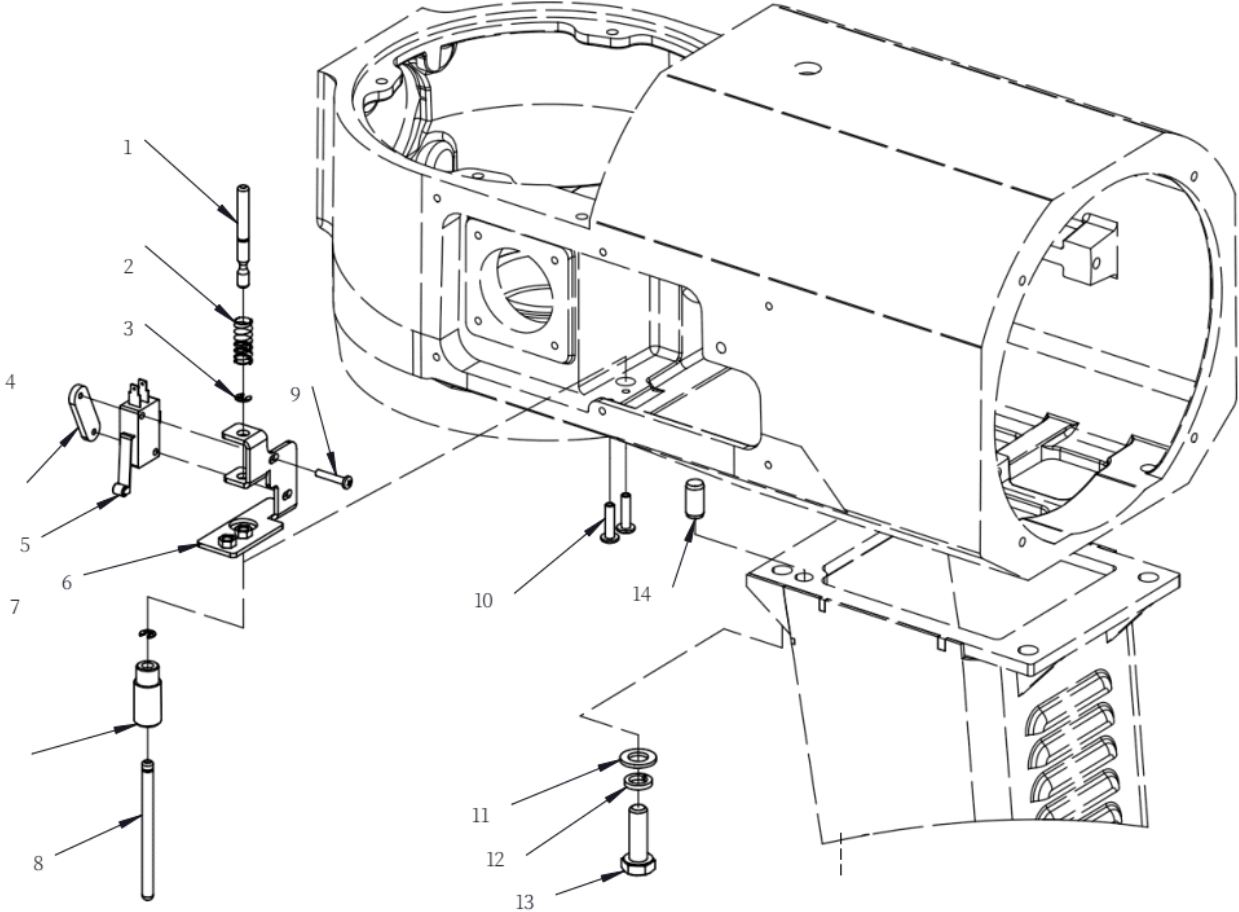


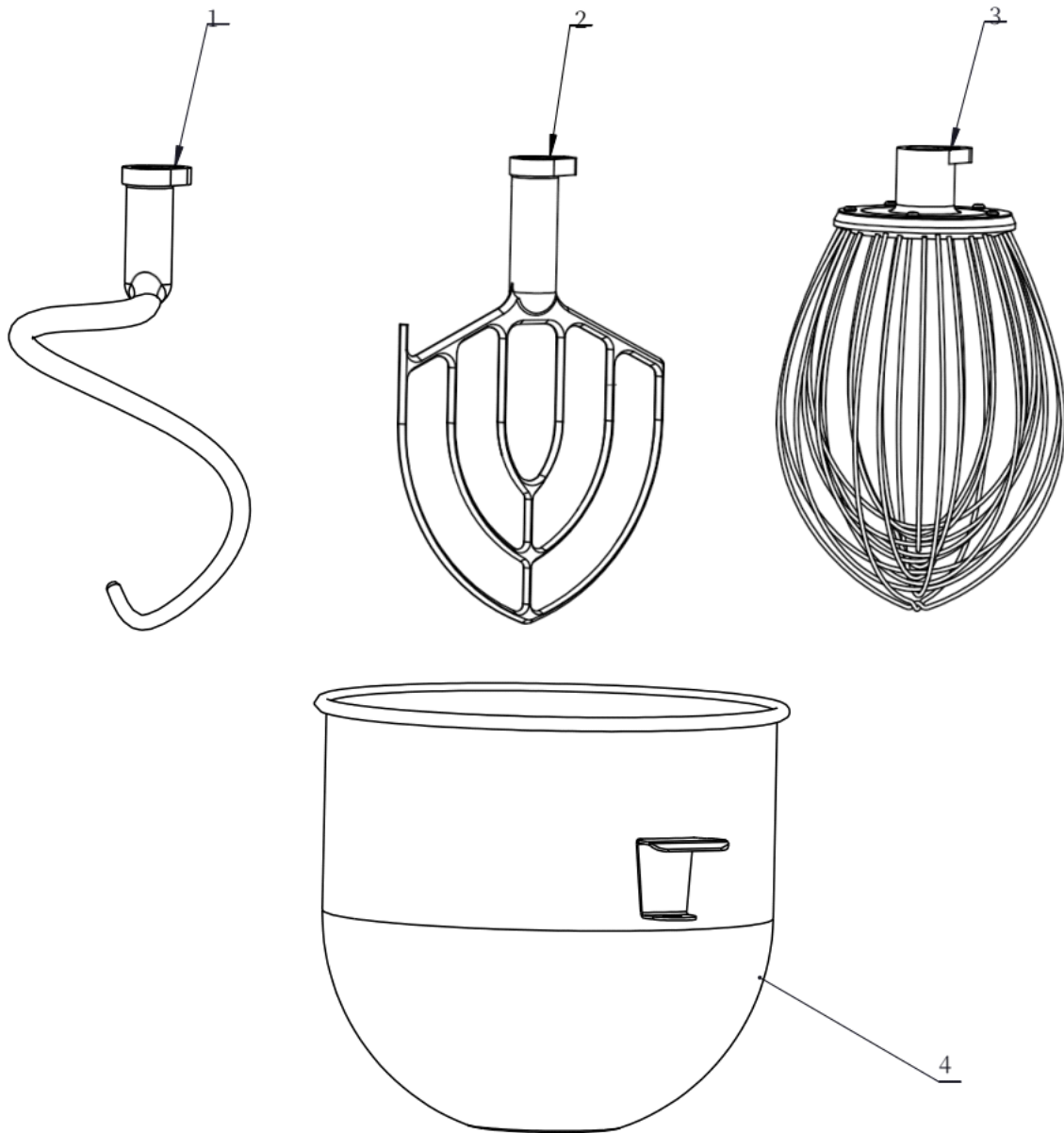














## Spare part list 7534.0030

POS:	Art.No.:	Omschrijving:	Aantal:
1-1	**	B10-20 Rear Hood Plugs	6
1-2	**	Hexagon socket cheese head screws M6*35	1
1-3	**	EC20 top cover	1
1-4	**	EC20 four function box	1
1-5	**	EC20 Rear Air Hood	1
1-6	**	M5 plastic flat mat	4
1-7	**	Phillips half-round head screws M5*14	4
1-8	**	Phillips half round head screws M5*12	7
1-9	**	EC20 Top Cover Plate	1
1-10	**	B20rubbercentershaftgland	1
1-11	**	B20 rubber cover	2
1-12	**	EC20 bearing housing cover	1
1-13	**	Hexagon socket cheese head screws M6*16	4
1-14	**	Spring washers 6	4
1-15	**	Flat washers 6	4
1-16	**	Asbestosgasketfor B20 housingcover	1
1-17	**	EC20Nameplatepadadhesivestrip(black)	1
1-18	**	EC20 Nameplate-Double Hole	1
1-19	**	Emergency stop sticker	1
1-20	**	Ultra Short Green Switch 22MM	1
1-21	**	Phillips half round head screws M4*12	4
1-22	**	Ultra short emergency stop switch 22MM	1
2-1	**	Hexagon nuts M12	1
2-2	**	Bearing 6003 (waterproof)	1
2-3	**	B20 cover	1
2-4	**	B20L Gear Ring	1
2-5	**	B20clutchbody	1
2-6	**	B10/20 Roller 8*16	6
2-7	**	B10/20 spring tabs	6
2-8	**	B20LargeBevelGear	1
2-9	**	EC20 pinion gear	1
2-10	**	B20 bearing bush	2
2-11	**	EC20 conjugate	1
2-12	**	B20 center shaft	1
2-13	**	Round head normal flat key-A 6*6*28	1
2-14	**	Round head normal flat key-A 5*5*35	2
2-15	**	Round head normal flat key-A 6*6*24	1
2-16	**	B200-ring 19.8*2.4	1
2-17	**	EC20 Large Combination Gear	1
2-18	**	B20 Retaining Ring	1



## Spare part list 7534.0030

POS:	Art.No.:	Omschrijving:	Aantal:
2-19	**	Bearing6205	1
2-20	**	B2Oilseal30*45*10	1
2-21	**	O-ring(O.D.)28*2.4	1
2-22	**	B20 new sleeve	1
2-23	**	Hexagon socket cheese head screws M6*25	5
2-23	**	Flat washers 18	1
2-24	**	Hexagon nuts M18	1
3-1	9008.2058	Hexagon nuts M10	2
3-2	**	Bearing 6201 (waterproof)	2
3-3	**	B20L gear shaft	1
3-4	**	Circlips for shafts 20*1	2
3-5	**	B20 High Speed Gear C	1
3-6	**	B20 low speed gear GF	1
3-7	**	Circlips for shafts 18*1	1
3-8	**	Bearing 6201 (without cover)	2
3-9	**	Round head normal flat key-A 5*5*12	2
3-10	**	B20 worm gear shaft C	1
3-11	**	Round head normal flat key-A 6*6*14	1
3-12	**	EC20 worm gear	1
4-1	9008.2058	Hexagon nuts M10	1
4-2	**	Flat washers 10	1
4-3	**	BH20G Fork	1
4-4	**	B20 forkshaft 13*132	1
4-5	**	B20 fork nut 18*1.5	2
4-6	**	B20 fork spring 11.5*1.8*22	2
4-7	**	B20 fork upper shaft (short) 9.8*16	2
4-8	**	B10/20 steel ball 6	4
4-9	**	B10/B20 variablespeedspring	4
4-10	**	EC20 transaxle	1
4-11	**	B20Otyperubberring18*2.4	1
4-12	**	AsbestosgasketforB20gearboxseat	1
4-13	**	B20Otyperubberring45*3.1	1
4-14	**	B20 Gearbox	1
4-15	**	Phillips half-round head screws M5*12	4
4-16	**	Circlips for shafts 20*1	1
4-17	**	B20 Shift Handle Sleeve	1
4-18	**	Hexagon socket cheese head screws M6*10	1
4-19	**	B20steel-plastichandle	1
5-1	**	Circlips for shafts 16*1	1
5-2	**	EC20 worm gear	1



## Spare part list 7534.0030

POS:	Art.No.:	Omschrijving:	Aantal:
5-3	**	EC20 oil seal 40*17*7	1
5-4	**	EC20 Rotor Spacer	1
5-5	9008.2064	Bearing 6203	2
5-6	**	Round head normal flat key-A 4*4*22	1
5-7	**	D140-55-15 rotor	1
5-8	**	D140-55/1-230V-4-50 stator	1
5-9	**	EC20 Rear Bearing Cover	1
5-10	**	Hexagon socket cheese head screws M6*16	4
5-11	**	Centrifugal base plate L14/9- 152/4S	1
5-12	**	Phillips half-round head screws M5*12	2
5-12	**	Flat washers 5	3
5-13	**	Centrifugal switch $\varnothing$ 14/4P/60HZ	1
5-13	**	Phillips half-round head screws M5*14	3
6-1	**	EC30 column + base	1
6-2	**	Phillips half-round head screws M3*5	4
6-3	**	EC20 Electronic Control Main Board	1
6-4	**	Overloadswitch7A	1
6-5	**	EC20 column back plate	1
6-6	**	Phillips half-round head screws M4*8	4
6-7	**	Phillips half round head screws M5*20(Cu)	1
6-8	**	B7GroundMarker	1
6-9	**	Flat washers 5 (copper)	3
6-10	**	Hexagon nuts M5 (brass)	2
6-11	**	ColdLatchTerminalsRNB3.5-6	1
6-12	**	B10/20 Mouse Tail	1
6-13	**	Two round and one empty wire 3*1.0	1
6-14	**	EC20 Capacitor Pressure Plate	1
6-15	**	B10QT Capacitor 100UF-250V	1
6-16	**	EC30 Capacitor 30UF-450V	1
6-17	**	Phillips half-round head screws M5*40	1
6-18	**	EC20 base rubber feet	4
6-19	**	B10-20 Rear Hood Plug	1
7-1	**	Lock nut M10	2
7-2	**	Flat washers 10	3
7-3	9008.2058	B10/20 bracket spring 17*3*30	1
7-4	**	EC20 Tie Rods	1
7-5	**	Cotter pin 3*16	1
7-6	**	Circlips for shafts 14*1	1
7-7	**	EC20 Camber Wheel	1
7-8	**	EC20 Lift Handle Spacer	1



## Spare part list 7534.0030

POS:	Art.No.:	Omschrijving:	Aantal:
7-9	**	Round head normal flat key-A 5*5*20	1
7-10	**	EC20 Handlebar	1
7-11	**	B10/20 Black Handle Ball M10	1
8-1	**	Hexagon socket head bolts M6*16	2
8-2	**	Spring washers 6	2
8-3	**	Flat washers 6	2
8-4	**	EC20 Barrel Plate	2
8-5	**	Corrugated pad $\varnothing$ 10	2
8-6	**	EC20 Pressure Plate Pad	2
8-7	9008.2054	B20/25 Stainless Steel Drum Spike	2
8-8	9008.2054	Flat washers 8	2
8-9	**	EC20 Bracket	1
8-10	9008.2054	Lock nut M8	2
8-11	**	Phillips half-round head screws M4*6	4
8-12	**	EC20 bracket upper baffle	1
8-13	**	Phillips half-round head screws M5*8	2
8-14	**	KMM100 Shift Nut Plate	1
8-15	**	B7lifttravelswitchXV-155-1C25	1
8-16	**	EC20 Lift Switch Stand	1
8-17	**	Phillips half-round head screws M3*16	2
8-18	**	EC20 Flat Platen	2
8-19	**	Hexagon socket head bolts M6*16	6
8-20	**	Spring washers 6	11
8-21	**	Flat washers 6	6
8-22	**	EC20 bracket lower baffle	1
9-1	**	Hexagon socket head bolts M8*25	1
9-2	**	Spring washers 8	1
9-3	**	B20 round platen	1
9-4	**	EC20 Internal Gear	1
9-5	9008.2086	B20 planetarygears	1
9-6	9008.2064	Bearing 6203	1
9-7	**	B20 Adapter	1
9-8	9008.2064	Bearing 6204	1
9-9	9008.2064	B20 oil seal 25*50*10	1
9-10	**	Spring washers 6	6
9-11	**	Hexagon socket cheese head screws M6*25	6
9-12	**	Round head normal flat key-A 5*5*18	1
9-13	**	B20 galvanized mixing shaft	1
10-1	**	EC20 Fixed Network	1
10-2	**	EC20 chromemeshretainingring	1



## Spare part list 7534.0030

POS:	Art.No.:	Omschrijving:	Aantal:
10-3	**	Phillips half-round head screws M5*8	1
10-4	**	EC20NetFixingAdhesive(ColdGray)	2
10-5	**	EC20 chrome-plated dismantling grid	1
10-6	**	Phillips half-round head screws M4*6	6
10-7	**	Phillips half-round head screws M5*12	4
10-8	**	Spring 8x0.8x15	1
10-9	**	EC20 Net Activity Hanging Adhesive(Cold Gray)	1
10-10	9008.2070	Opening retaining ring 4	1
10-11	**	Spring 6X0.7X15	1
10-12	**	Phillips half round head tapping screws M3*10	1
10-13	**	Phillips half round head tapping screws M3*5	4
10-14	**	EC20 net movable hanging cover	1
10-15	**	EC20 Loose Mesh Spike	1
10-16	**	EC20 Net Positioning Post Clip	1
10-17	**	EC20 Net Positioning Column	1
11-1	**	EC20 net opening stop lever	1
11-2	**	EC20 web opening stop spring - 8x0.8x20	1
11-3	**	Open Retaining Ring 3	2
11-4	**	KMM100 Shift Nut Plate	1
11-5	9008.2056	Travel switch XV-156-1C25	1
11-6	**	EC20 web-open parking rack	1
11-7	**	EC20netopeningstopleverguidesleeve	1
11-8	**	EC20NetOpeningStopLeverGuideColumns	1
11-9	**	Phillips half-round head screws M3*16	2
11-10	**	Phillips half-round head screws M4*16	2
11-11	**	Flat washers 8	4
11-12	**	Spring washers 8	4
11-13	**	Hexagon socket head bolts M8x25	4
11-14	**	Cylindrical pins 8*16	2
12-1	**	B20/430 mixingcrutch	1
12-2	**	B20/430 Mixing Beat	1
12-3	**	B20/201 Egg Beaters	1
12-4	**	B20-201 Drum (Junying Rolled Edge Polishing)	1
		## = Parts cannot be ordered separately.	
		** = No article number known, must be requested specifically.	





**7534.0030**

## **Combisteel BV**

Lichtschip 25  
3991CP Houten  
The Netherlands

+31 (0)30 285 00 90  
info@combisteel.com  
www.combisteel.com