



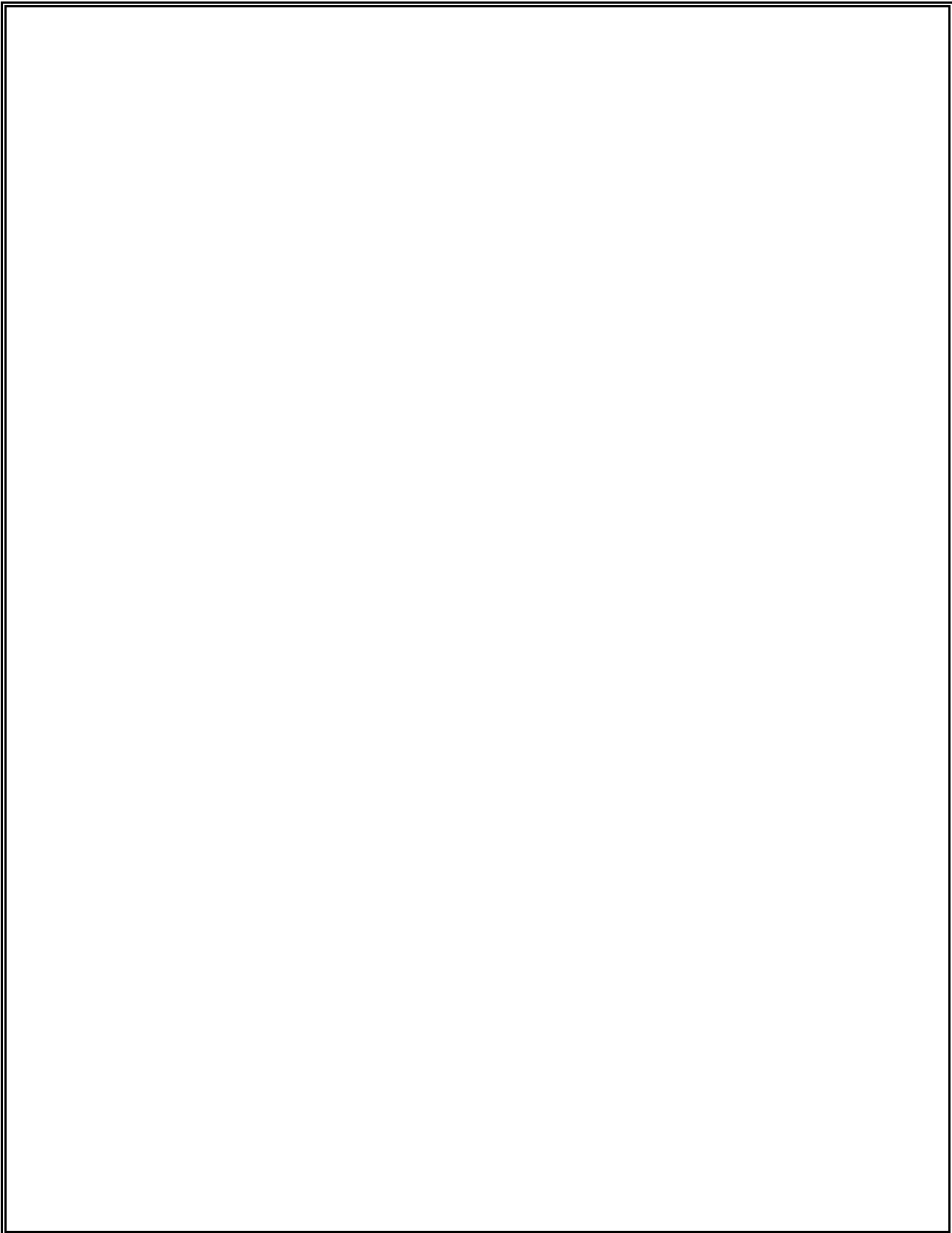
# Spare part information

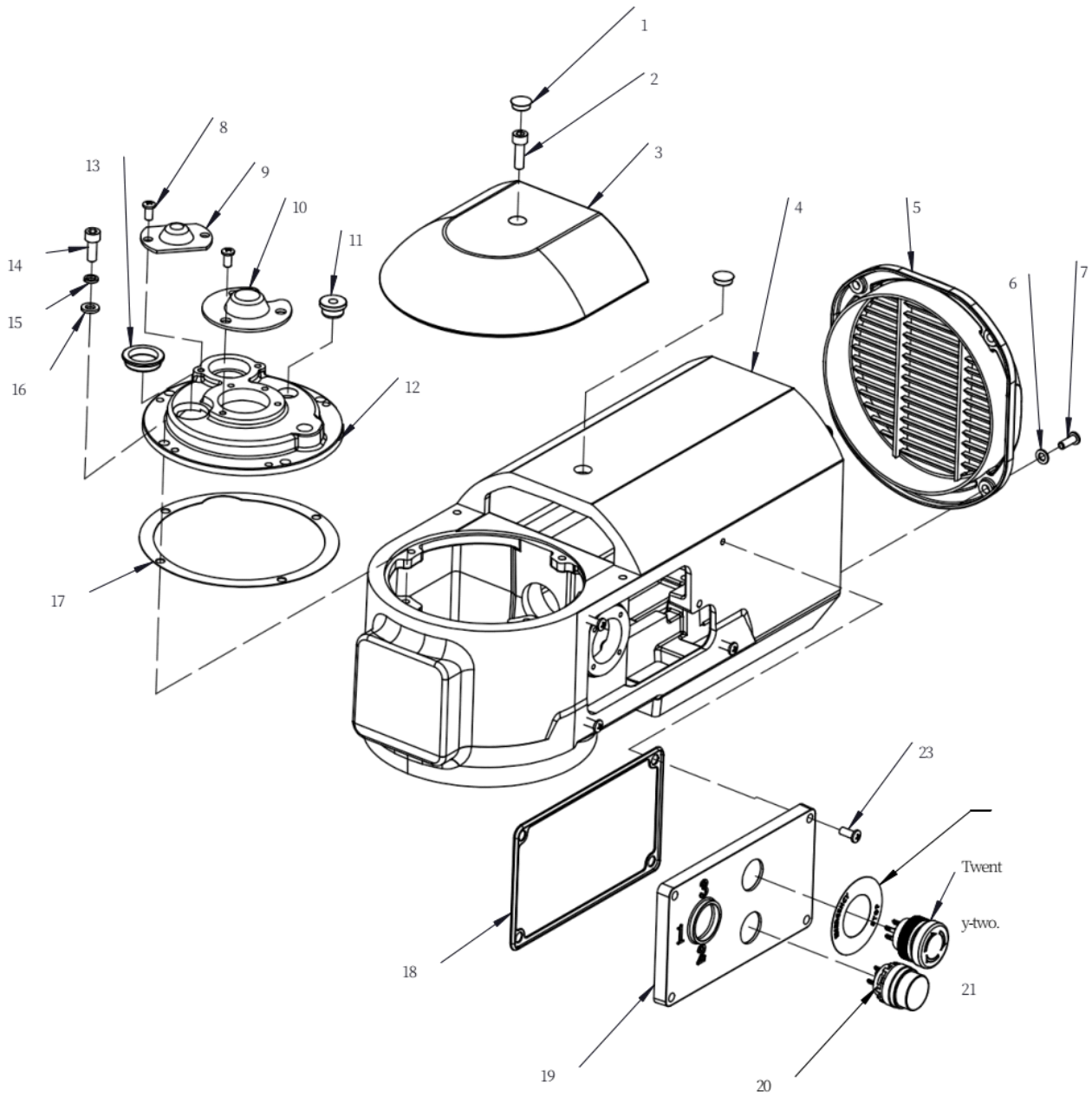
**7534.0025**

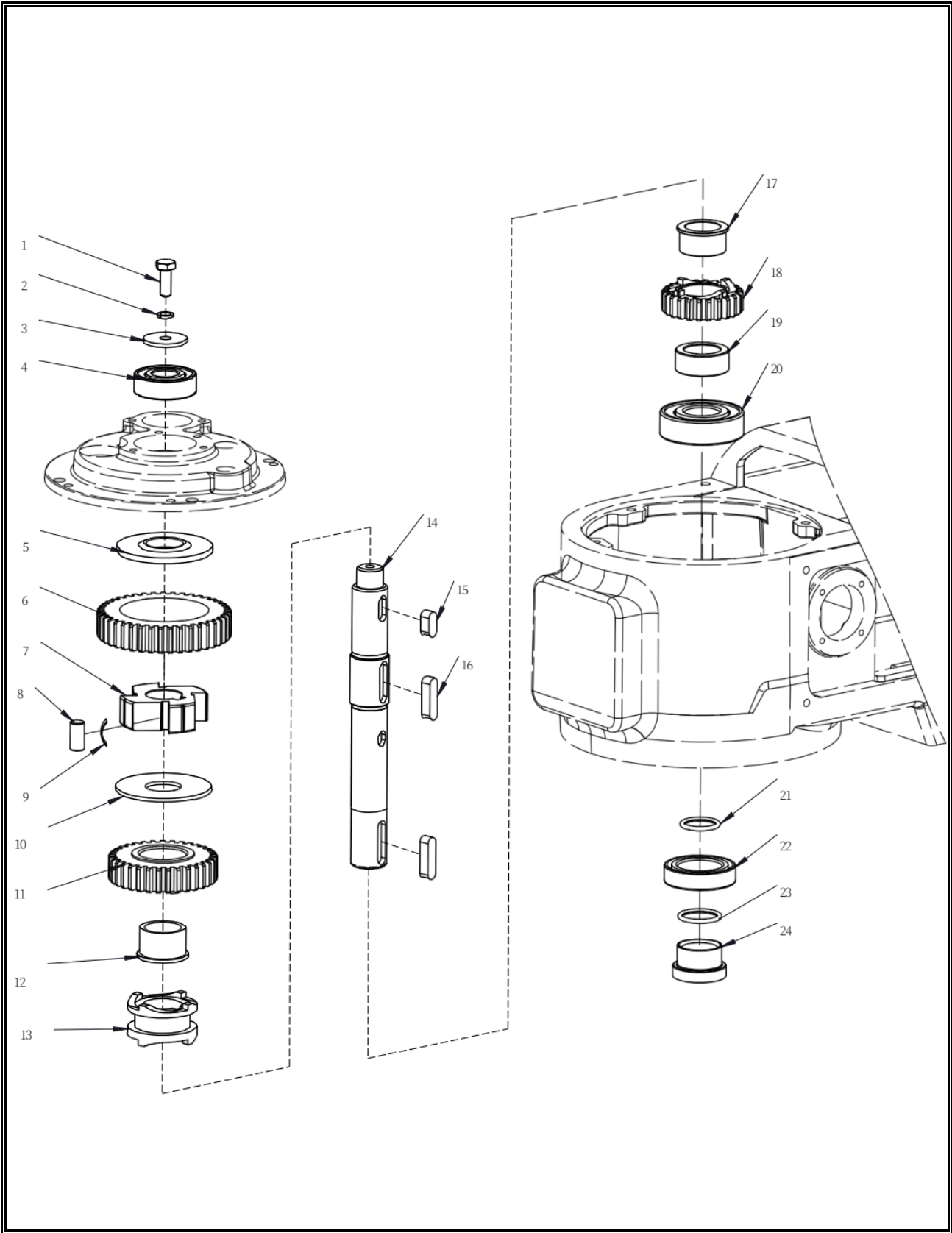


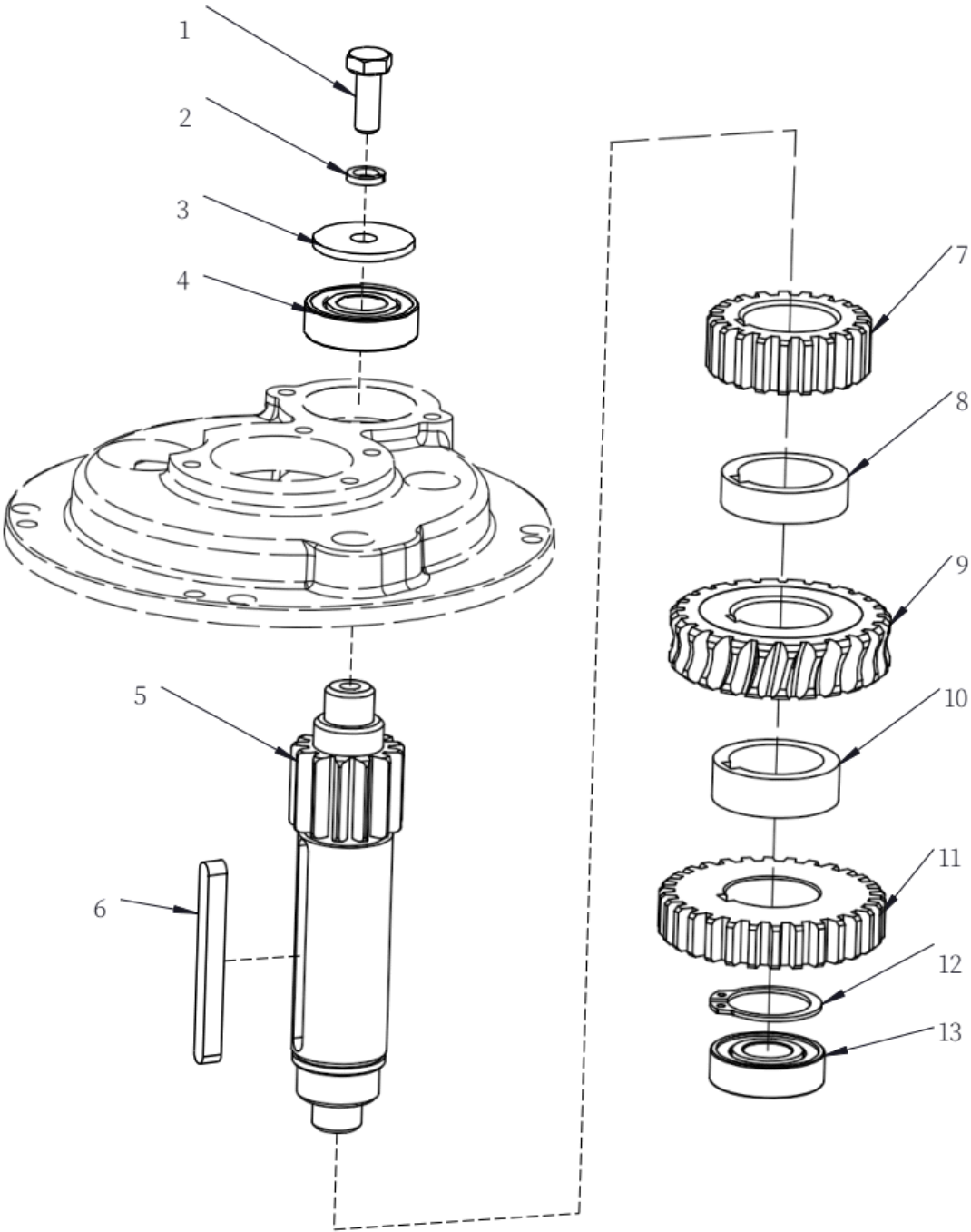


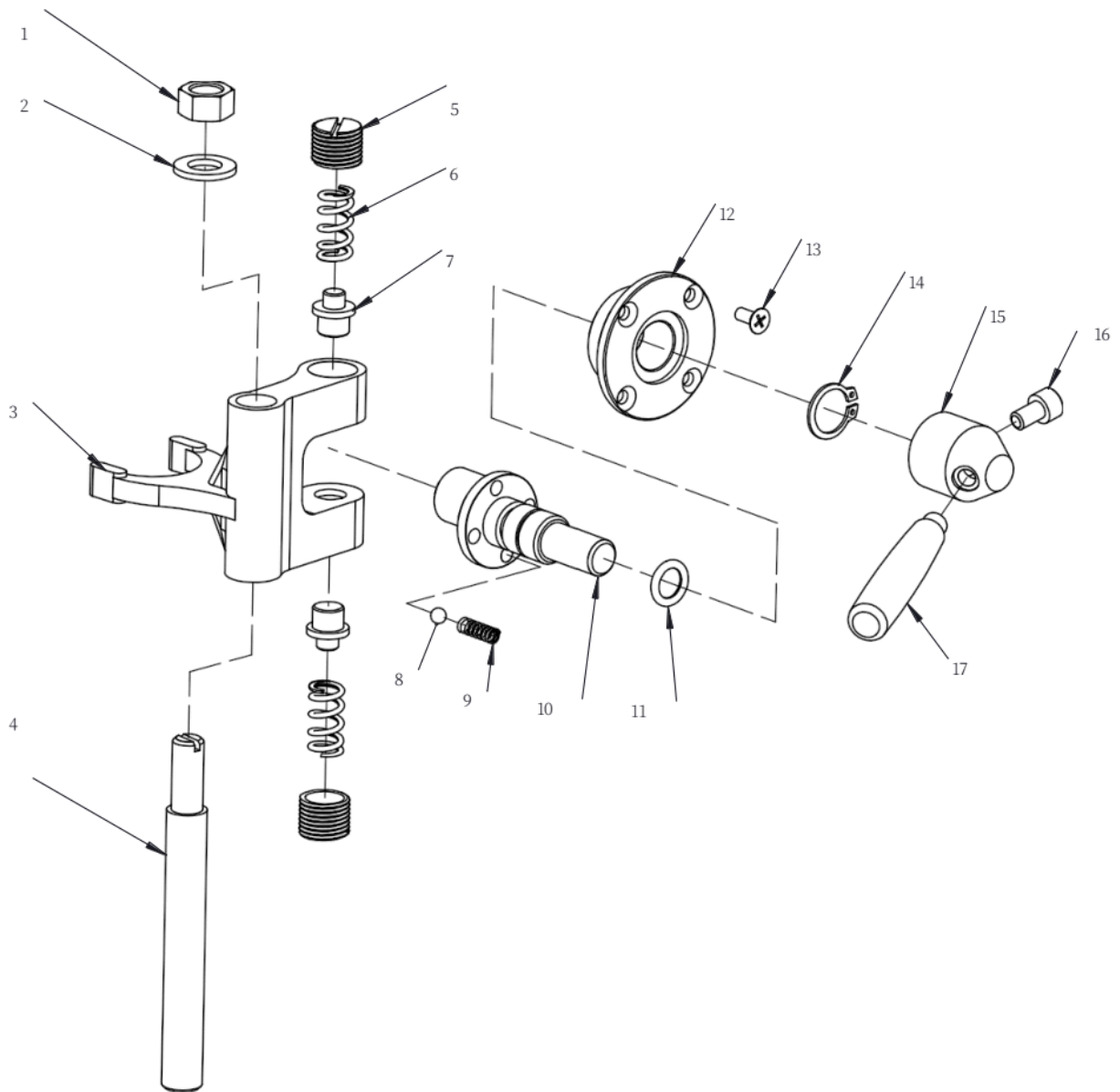
**7534.0025**

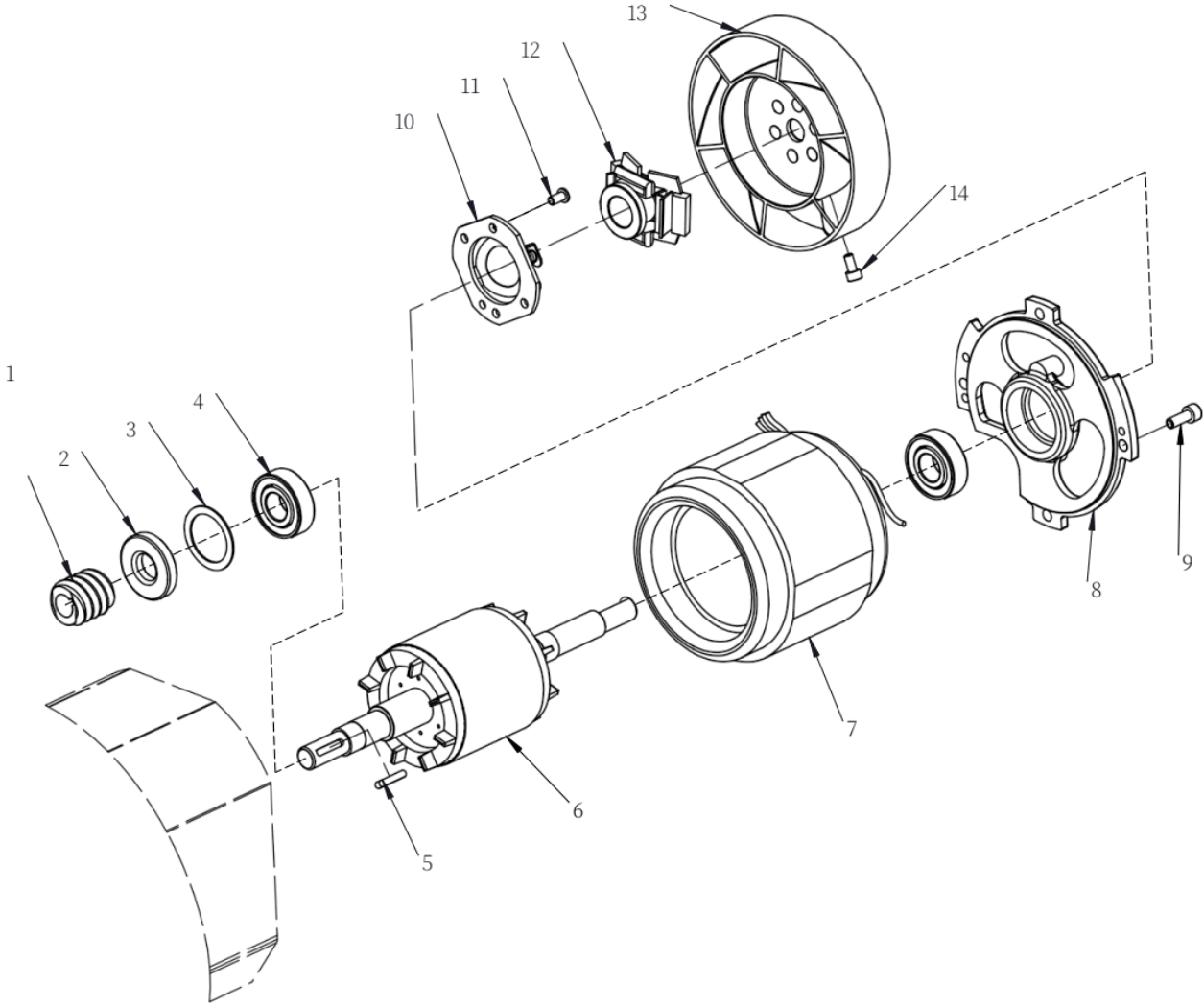


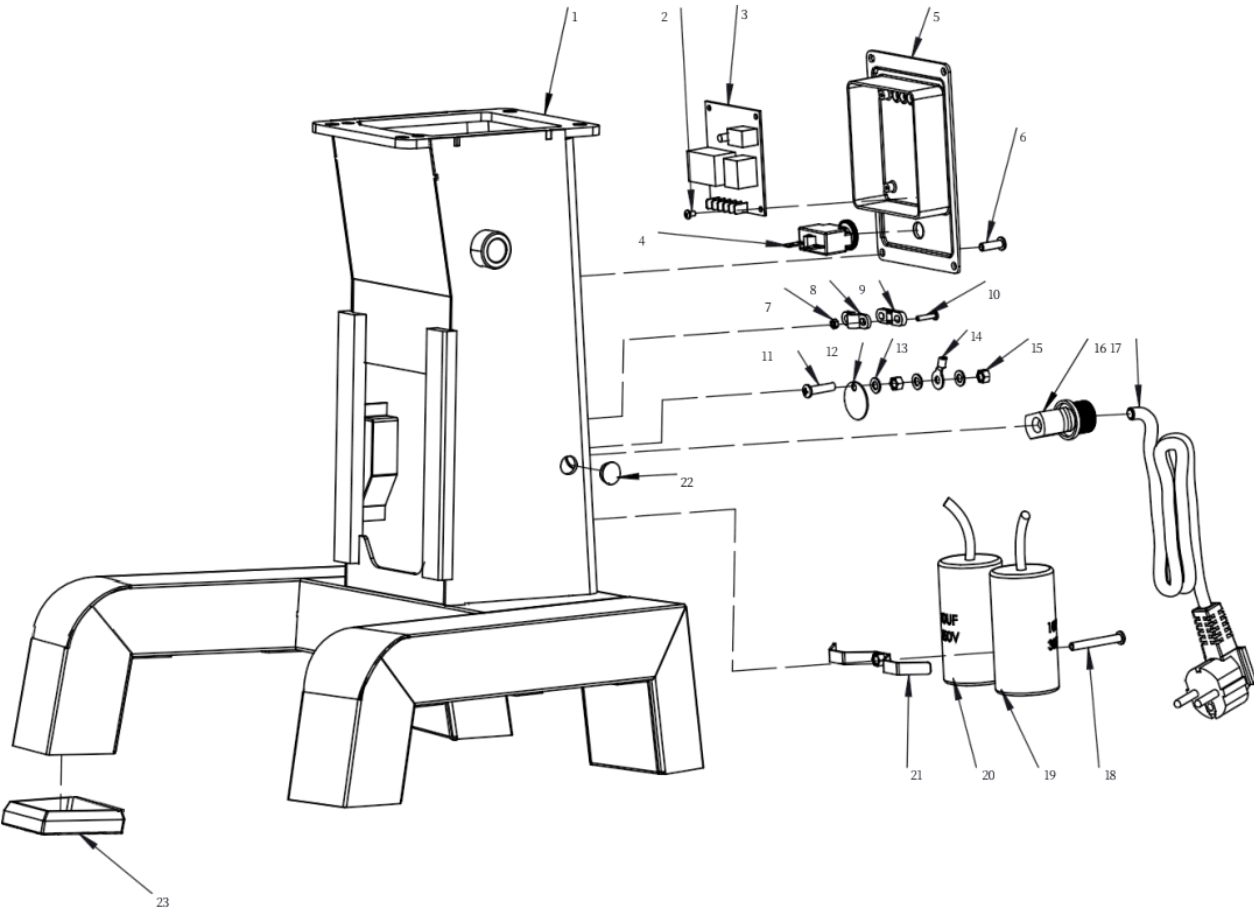


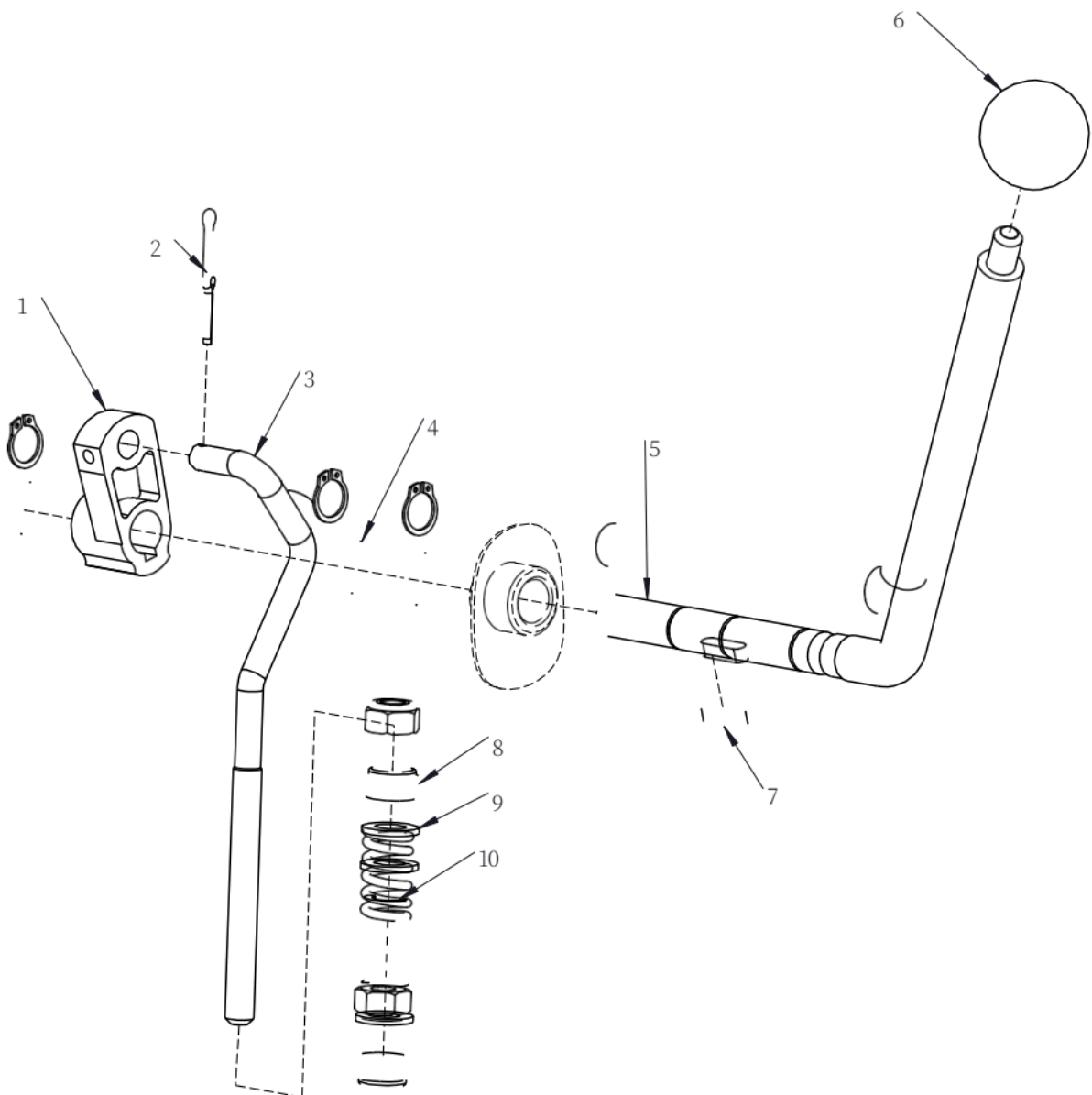


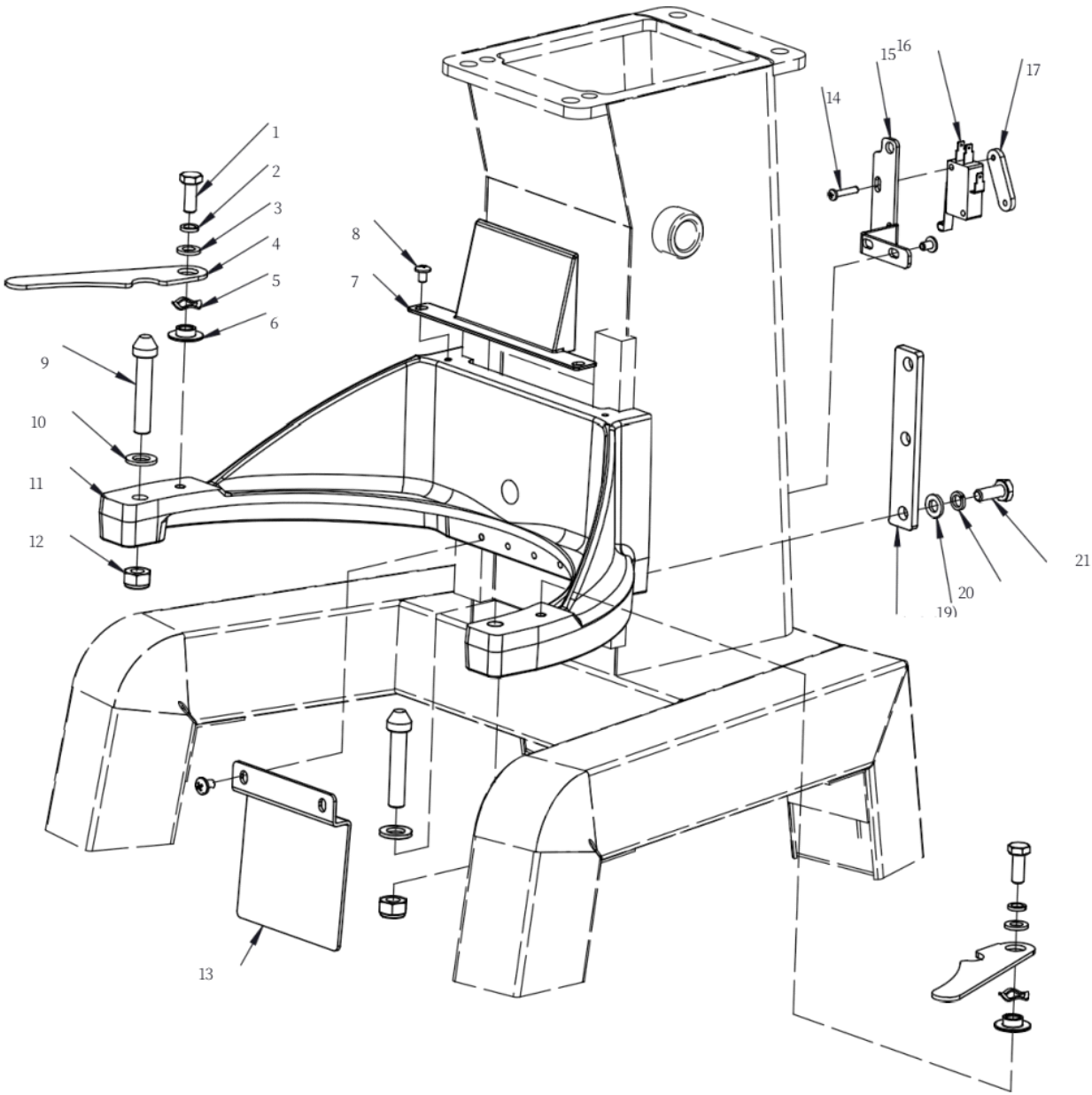


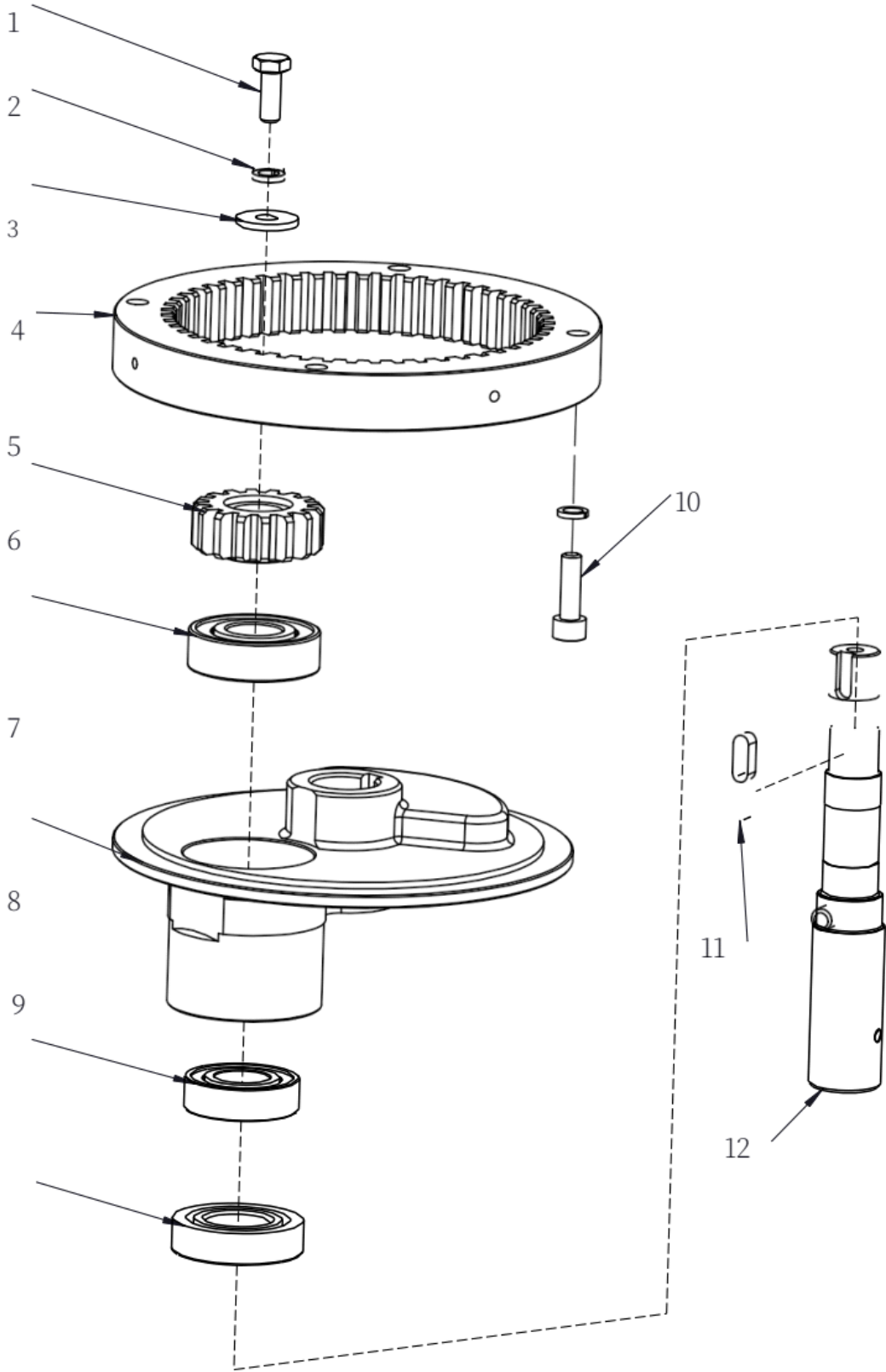


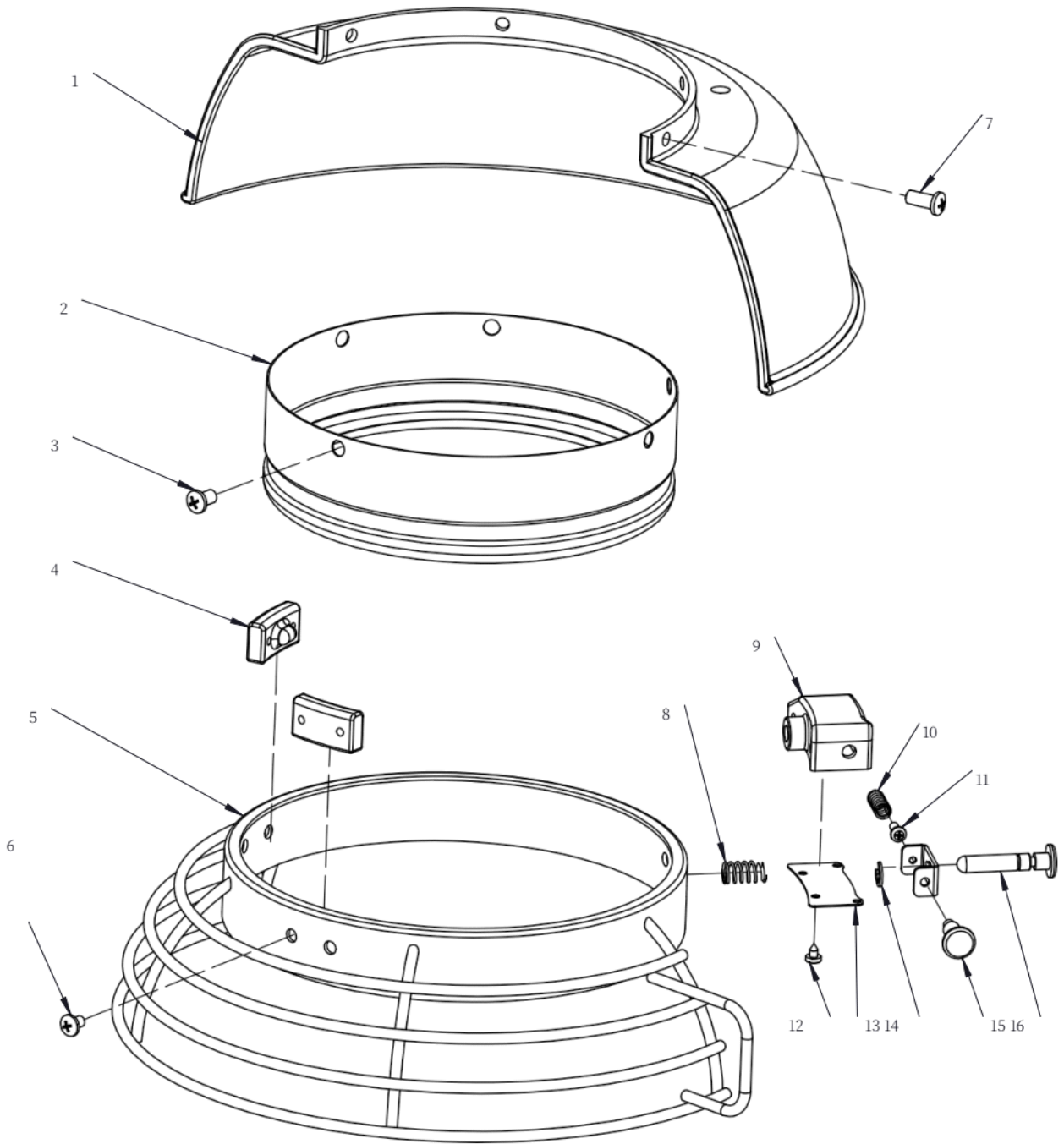


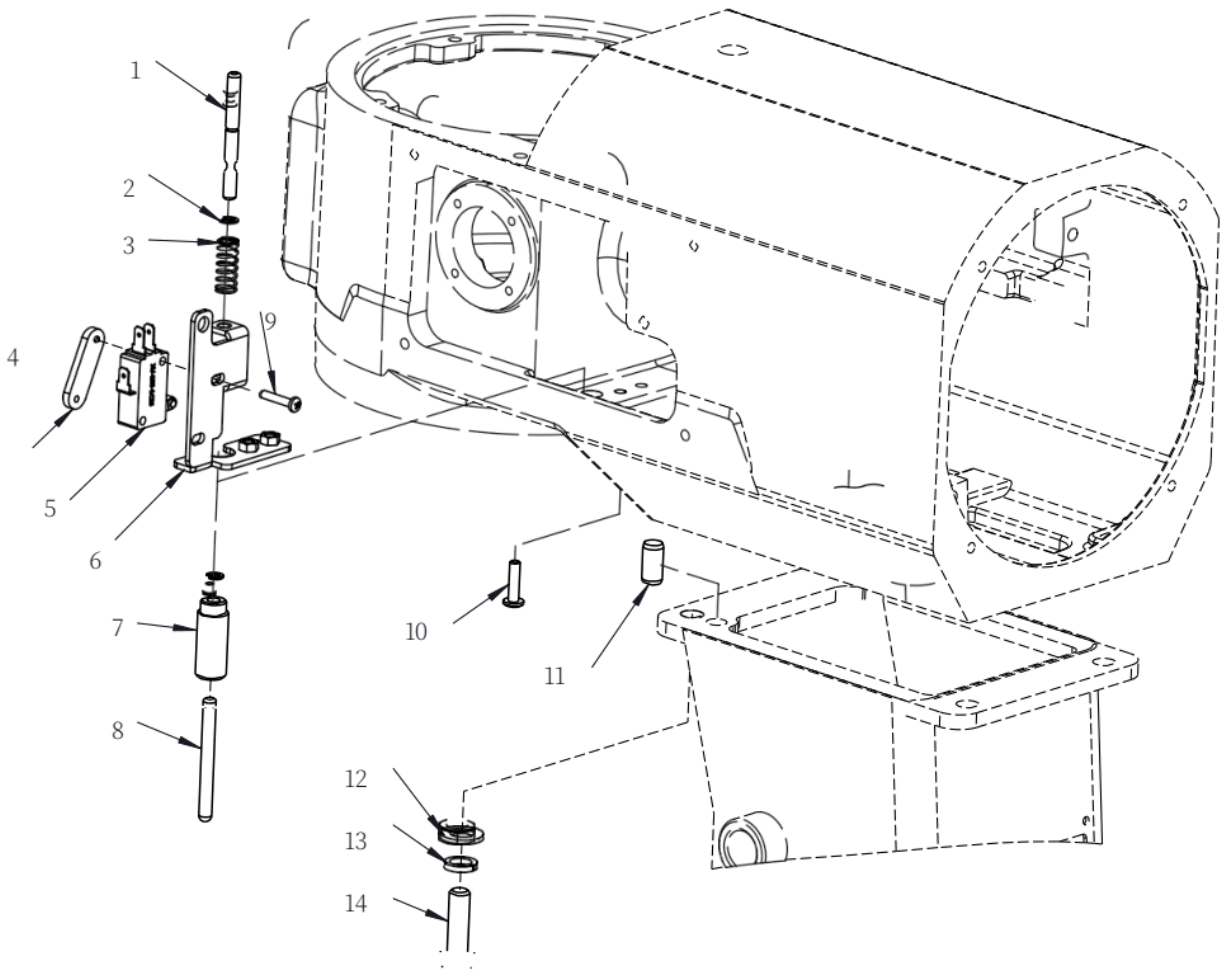


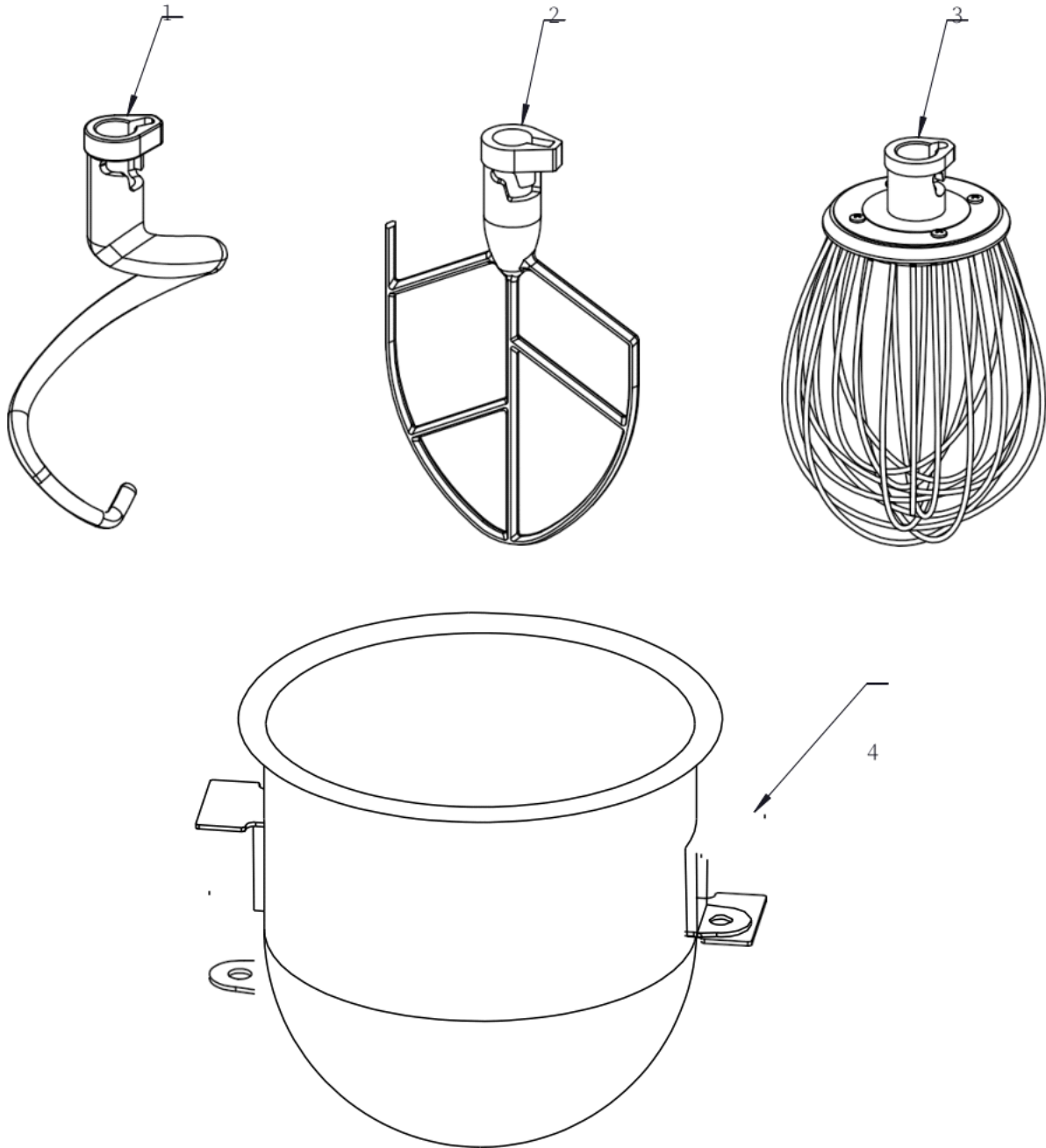














## Spare part list 7534.0025

POS:	Art.No.:	Omschrijving:	Aantal:
1-1	**	B10-20 Rear Hood Plugs	2
1-2	**	Hexagon socket cheese head screws M6*20	1
1-3	**	EC10 top cover	1
1-4	**	EC10 Box	1
1-5	**	EC10 Rear Air Hood	1
1-6	**	Flat washers 5	4
1-7	**	Phillips half-round head screws M5*14	4
1-8	**	Crossed half round head screws M5*10	5
1-9	**	B10 gear shaft gland	1
1-10	**	B10 center shaft gland	1
1-11	**	B10oilplug	1
1-12	**	EC10 bearing housing cover	1
1-13	**	B20 rubber cover	1
1-14	**	Hexagon socket cheese head screws M6*16	4
1-15	**	Spring washers 6	4
1-16	**	Flat washers 6	4
1-17	**	AsbestosgasketforEC10housingcover	1
1-18	**	EC10nameplatepadadhesivestrip	1
1-19	**	EC10 nameplate - double hole	1
1-20	**	Ultra Short Green Switch 22MM	1
1-21	**	Ultra Short Emergency Stop Switch 22MM	1
1-22	**	Emergency stop sticker	1
1-23	**	Phillips half-round head screws M5*12	4
2-1	**	Hexagon socket head bolts M6*16	1
2-2	**	Spring washers 6	1
2-3	**	Gasket 25*6.5*2	1
2-4	**	Bearing 6202 (waterproof)	1
2-5	**	B10spacer	1
2-6	**	B15ring	1
2-7	**	B10 clutch body	1
2-8	**	B10/20 Roller 8*16	4
2-9	**	B10/20 spring tabs	4
2-10	**	B10cover	1
2-11	**	B10 four-function large combined teeth	1
2-12	**	B10 long bearing bush	1
2-13	**	B10 conjugate	1
2-14	**	EC10 center shaft	1
2-15	**	Round head normal flat key-A 6*6*14	1
2-16	**	Round head normal flat key-A 6*6*24	1
2-17	**	B10 short bearing bush	1



## Spare part list 7534.0025

POS:	Art.No.:	Omschrijving:	Aantal:
2-18	**	B10 four-function small combined teeth	1
2-19	**	EC10centershaftlowerretainingring	1
2-20	9008.2064	Bearing6204	1
2-21	**	B100 ring 17.8*2.4	1
2-22	**	B10 oilseal 25*40*10	1
2-23	**	B200-ring 19.8*2.4	1
3-1	**	Hexagon socket head bolts M6*16	1
3-2	**	Spring washers 6	1
3-3	**	Gasket 25*6.5*2	1
3-4	**	Bearing 6001 (waterproof)	1
3-5	**	EC10 gear shaft	1
3-6	**	Round head normal flat key-A 5*5*52	1
3-7	**	B10 low speed gear	1
3-8	**	B10 shortspacer	1
3-9	**	B10 Copper Worm Gear	1
3-10	**	B10 longspacer	1
3-11	**	B10 High Speed Gear	1
3-12	**	Clamping springs for shafts 22*1	1
3-13	**	Harbin Bearing 6001	1
4-1	9008.2058	Hexagon nuts M10	1
4-2	**	Flat washers 10	1
4-3	**	BH10G Forks	1
4-4	**	EC10 Fork Shaft	1
4-5	**	B10 fork nut 16*1.5	2
4-6	**	B10/20 fork spring 11.5*1.8*22	2
4-7	**	B10 fork small shaft 9.8*14	2
4-8	**	B7B5 centimeter steel ball	4
4-9	**	B7Bvariablespeedseatspring5x0.6x15	4
4-10	**	EC10 transaxle	1
4-11	**	B7BVariablespeedshaftO-ringinnerdiameter10*2.65	1
4-12	**	BW7-S Shift Block	1
4-13	**	Cross countersunk head screws M4*10	4
4-14	**	Circlips for shafts 16*1	1
4-15	**	B10 Shift Handle Sleeve	1
4-16	**	Hexagon socket cheese head screws M6*10	1
4-17	**	B20steel-plastichandle	1
5-1	**	EC10 worm gear	1
5-2	**	EC20 oil seal 40*17*7	1
5-3	**	EC10 Rotor Spacer	1
5-4	9008.2064	Bearing6203	2



## Spare part list 7534.0025

POS:	Art.No.:	Omschrijving:	Aantal:
5-5	**	Round head normal flat key-A 4*4*22	1
5-6	**	D120-65-01 Rotor	1
5-7	**	D120-65-1-230V-4-50 Stator	1
5-8	**	EC10 Rear Bearing Cover	1
5-9	**	Hexagon socket cheese head screws M6*16	4
5-10	**	Centrifugal base plate L14/9-152/4S	1
5-11	**	Phillips half-round head screws M5*10	2
5-12	**	Centrifugal switch $\varnothing$ 14/4P/60HZ	2
5-13	**	135 Wind Blade	1
5-14	**	Hexagon socket cheese head screws M5*10	2
6-1	**	EC10 Handlebar Column+Base	1
6-2	**	Phillips half-round head screws M3*5	4
6-3	**	EC20 Electronic Control Motherboard	1
6-4	**	Overloadswitch 7A	1
6-5	**	EC20 Column Backplate	1
6-6	**	Phillips half round head screws M5*16	4
6-7	**	Hexagon nuts M3	2
6-8	**	Bridge Crimp Plate	1
6-9	**	Flat embossing lines	1
6-10	**	Phillips half-round head screws M3*14	2
6-11	**	Phillips half-round head screws M5*20(Cu)	1
6-12	**	B7 Ground Marker	1
6-13	**	Flat washers 5 (copper)	3
6-14	**	Cold Crimp Terminals RNB3.5-6	1
6-15	**	Hexagon nuts M5 (copper)	2
6-16	**	B10/20 Mouse Tail	1
6-17	**	Two round and one empty wire 3*1.0	1
6-18	**	Phillips half round head screws M5*40	1
6-19	**	B10QT Capacitor 100UF-250V	1
6-20	**	EC30 Capacitor 30UF-450V	1
6-21	**	EC20 Capacitor Pressure Plate	1
6-22	**	B10-20 Rear Hood Plug	1
6-23	**	EC20 base rubber feet	4
7-1	**	EC10 Camber Wheel	1
7-2	**	Cotter pin 3*16	1
7-3	**	EC10 Tie Rods	1
7-4	**	Circlips for shafts 14*1	3
7-5	**	B10E Handle	1
7-6	**	B10/20 Black Handle Ball M10	1
7-7	**	Round head normal flat key-A 5*5*20	1



## Spare part list 7534.0025

POS:	Art.No.:	Omschrijving:	Aantal:
7-8	**	Lock nut M10	2
7-9	**	Flat washers 10	3
7-10	9008.2058	B10/20 bracket spring 17*3*30	1
8-1	**	Hexagon socket head bolts M6*16	2
8-2	**	Spring washers 6	2
8-3	**	Flat washers 6	2
8-4	**	EC20 Barrel Plate	2
8-5	**	Corrugated pad $\varnothing$ 10	2
8-6	**	EC20 Pressure Plate Pad	2
8-7	**	EC10bracketupperbaffle	1
8-8	**	Phillips half-round head screws M4*6	6
8-9	9008.2054	B20/25 Stainless Steel Drum Spike	2
8-10	9008.2054	Flat washers 8	2
8-11	**	EC10 Bracket	1
8-12	9008.2054	Lock nut M8	2
8-13	**	EC10bracketlowerbaffle	1
8-14	**	Phillips half-round head screws M3*16	2
8-15	**	EC10LiftSwitchRack	1
8-16	9008.2056	Travelswitch XV-156-1C25	1
8-17	**	KMM100 Shift Nut Plate	1
8-18	**	EC10 Flat Platen	2
8-19	**	Flat washers 6	6
8-20	**	Spring washers 6	6
8-21	**	Hexagon socket head bolts M6*16	6
9-1	**	Hexagon socket head bolts M6*16	1
9-2	**	Spring washers 6	5
9-3	**	B10 round platen	1
9-4	**	EC10 Internal Gear	1
9-5	9008.2066	B10 planetary gears	1
9-6	9008.2064	Bearing 6203	1
9-7	**	B10 adapter	1
9-8	9008.2064	Bearing 6003	1
9-9	9008.2064	B10 oil seal 20*40*10	1
9-10	**	Hexagon socket cheese head screws M6*20	4
9-11	**	Round head normal flat key-A 5*5*14	1
9-12	**	B10 mixing shaft stainless steel	1
10-1	**	EC10 fixed network	1
10-2	**	EC10chrome-platedfixedmeshring	1
10-3	**	Phillips half-round head screws M5*8	1
10-4	**	EC20NetFixingAdhesive(ColdGray)	2



## Spare part list 7534.0025

POS:	Art.No.:	Omschrijving:	Aantal:
10-5	**	EC10chromeplateddismantlinggrid	1
10-6	**	Phillips half-round head screws M4*6	6
10-7	**	Phillips half-round head screws M5*12	4
10-8	**	Spring 8x0.8x15	1
10-9	**	EC20NetActivityHangingAdhesive(ColdGray)	1
10-10	**	Spring 6X0.7X15	1
10-11	**	Phillips half round head tapping screws M3*10	1
10-12	**	Phillips half round head tapping screws M3*5	4
10-13	**	EC20NetPositioningPostClip	1
10-13	**	EC20 net movable hanging cover	1
10-14	9008.2070	Opening retaining ring 4	1
10-15	**	EC20 Loose Mesh Spike	1
10-16	**	EC20 Net Positioning Column	1
11-1	**	EC10 netopeningstoplever	1
11-2	**	Open Retaining Ring 3	2
11-3	**	EC20 web opening stop spring - 8x0.8x20	1
11-4	**	KMM100 Shift Nut Plate	1
11-5	**	B7 lift travelswitch XV-155-1C25	1
11-6	**	EC10 web-openparkingrack	1
11-7	**	EC10 netopeningstopleverguidesleeve	1
11-8	**	EC10 netopeningstopleverguidecolumns	1
11-9	**	Phillips half-round head screws M3*16	2
11-10	**	Phillips half round head screws M4*16	2
11-11	**	Cylindrical pins 8*16	2
11-12	**	Flat washers 8	4
11-13	**	Spring washers 8	4
11-14	**	Hexagon head bolts Fully threaded	4
12-1	**	B10/430 Stirring Crutch	1
12-2	**	B10/430 Mixing Beat	1
12-3	**	B10/201 Egg Beaters	1
12-4	**	B10, 201 drum (Junying crimping and polishing)	1
		## = Parts cannot be ordered separately.	
		** = No article number known, must be requested specifically.	





**7534.0025**

## **Combisteel BV**

Lichtschip 25  
3991CP Houten  
The Netherlands

+31 (0)30 285 00 90  
info@combisteel.com  
www.combisteel.com