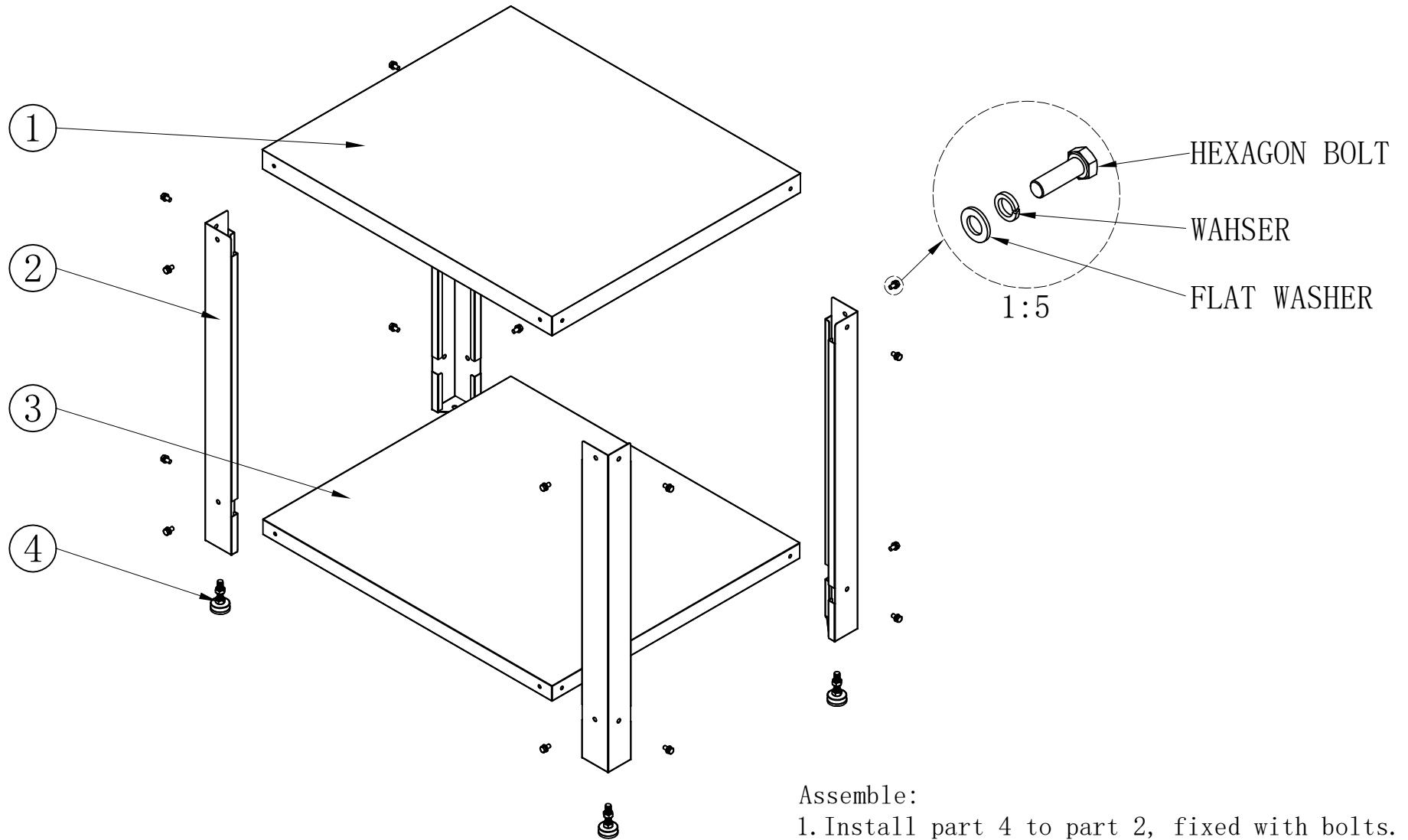


NO.	Name	QTY.
1	Upper board	1
2	Oven stand column	4
3	Lower board	1
4	Support foot	4



Assemble:

1. Install part 4 to part 2, fixed with bolts.
2. Install part 3 to part 2, fixed with bolts.
3. Install part 1 to part 2, fixed with bolts.